



PARTS CATALOG

Published

2011/8 (Aug.)

0CNP5-G50100

Directions for the Parts Catalog.

1. The parts stipulated in this Parts Catalog are not necessarily standard equipped parts.
2. Parts may change without prior notice.
3. The following is an example of the Parts Catalog format.

REF.	LEV.	PARTS NO.	DESCRIPTION	Q'TY						I	R
				(A)	(B)	(C)	(D)	(E)	(F)		
1	1	729595-51390	FUEL INJECTION PUMP	1	1	1	1	1			1
1-1	1	729595-51391	FUEL INJECTION PUMP	1	1	1	1	1		N	1
		(A=E00185) (B=E00200)									
3	2	26022-060162	SCREW M 6X 16	9	9	9	9	9			
3-1	2	26022-060162	SCREW M 6X 16	4	4	4	4	4		K	
		(A=E00156) (B=E00156) (C=E00156) (D=E00156) (E=E00156)									
4	2	129470-51040	CAMSHAFT	1	1	1	1	1			
5	2	122710-51050	BEARING, ROLLER	2	2	2	2	2			
6	2	129470-51060	RETAINER	1	1	1	1	1			

Remarks
(1) BOOST COMPEMSATOR TYPE. OPTIONAL PART, TO E00155,(4JH-DT, 4JH-DTZ

① Ref. No.

The Ref. No. listed may not be in accordance with the illustration Ref. No.

(Ex.) Illustration No.

List Ref No.

1

1

(Before change)

1-1

(After change)

For interchangeable symbols N, R and K, illustrations for new parts may be abbreviated.

② Lev. (Level)

Level indication

The numbers below indicate the level of relativity towards the main part.

1 ----- Main parts (Assembly parts)

2 ----- Sub component included in " 1 ".

3 ----- Sub component included in " 2 ".

Note) Parts that are not for sale are partially illustrated but not listed.

③ Interchangeability Mark

When a part change takes place, one of the following interchangeability symbols is indicated beside the part.

Symbol	Interchangeability	Contents note
N	Old $\begin{matrix} \leftarrow \text{Yes} \\ \text{No} \rightarrow \end{matrix}$ New	New Part is interchangeable for Old Part but Old Part is not interchangeable for New Part.
Q	Old $\begin{matrix} \leftarrow \text{No} \\ \text{Yes} \rightarrow \end{matrix}$ New	New Part is not interchangeable for Old Part but Old Part is interchangeable for New Part.
R	Old $\begin{matrix} \leftarrow \text{Yes} \\ \text{Yes} \rightarrow \end{matrix}$ New	New/ Old Parts are both interchangeable.
S	Old $\begin{matrix} \leftarrow \text{No} \\ \text{No} \rightarrow \end{matrix}$ New	New/ Old Parts are both not interchangeable.
W		Part newly added.
Z		Part discontinued.
F		Not interchangeable by a single part but interchangeable together with related parts.
K		Changes only for used parts quantities.

④ Effective Machine No.

When a part changes, the effective Machine No. will be indicated in the (A)-(F) column.

Product Symbol	Product No.	Product Symbol	Product No.
C	Clutch No. Compressor No.	F	Machine No. (Agricultural Equip.)
D	Drive No.	M	Machine No.
E	Engine No.		

Note 1) A date may follow the symbol. (Ex.) 1996.01

Note 2) "XXXXX" and "ZZZZZ" are for parts that could not be predicted or for engine models that could not be identified.

Note 3) (A=E00185) is the E (Engine Serial Number) for the column (A) model (in this case 4JH-DT) after the parts design change.

⑤ Remarks Mark

Figures or alphabets (symbols) are entered in the remarks column.

The comments (remarks) on parts that are indicated at the bottom of the illustration are the same symbols as those stated above.

PAINT COLOR (MRT650EX, PQZ)

FIG	PAINT COLOR	COLOR SPRAY	MAIN PART	COLOR NUMBER
TILLING PART	YANMAR RED 2	TOR-94800100	COVER, ROTARY	10
HANDLE PART	YANMAR WHITE	TOR-94800140	HANDEL CMP	14
ENGINE FRAME PART	YANMAR MAT BLACK	TOR-94800130	ENGINE FRAME CMP	13
ENGINE FRAME PART	YANMAR BLACK	TOR-94800120	BUMPER	12

Please surely use YANMAR Genuine color spray any
YANMAR agricultural machines

Given painting color may be altered for improvement, etc.
without prior notice.

CONTENTS

MODEL : GB180LN-351
PC NO : 0CNP5-G50200

Fig.No.	GROUP NAME
GB180LN-351	
1.	BOLT,SPRING,COVER
2.	LEAD WIRE, PLUG, CAP
3.	LABEL,FUEL HOSE
4.	TOOL SET
5.	GASKET SET
6.	CYLINDER BLOCK GROUP
7.	CYLINDER HEAD GROUP
8.	HEAD COVER GROUP
9.	CASE COVER GROUP
10.	CRANKSHAFT GROUP
11.	PISTON & ROD GROUP
12.	MAGNETO GROUP
13.	AIR CLEANER GROUP
14.	CARBURATOR GROUP
15.	CONTROL PANEL GROUP
16.	FAN COVER GROUP
17.	RECOIL STARTER GROUP
18.	MUFFLER GROUP

Fig.No. GROUP NAME

Fig.1. BOLT,SPRING,COVER

(A)=GB180LN-351

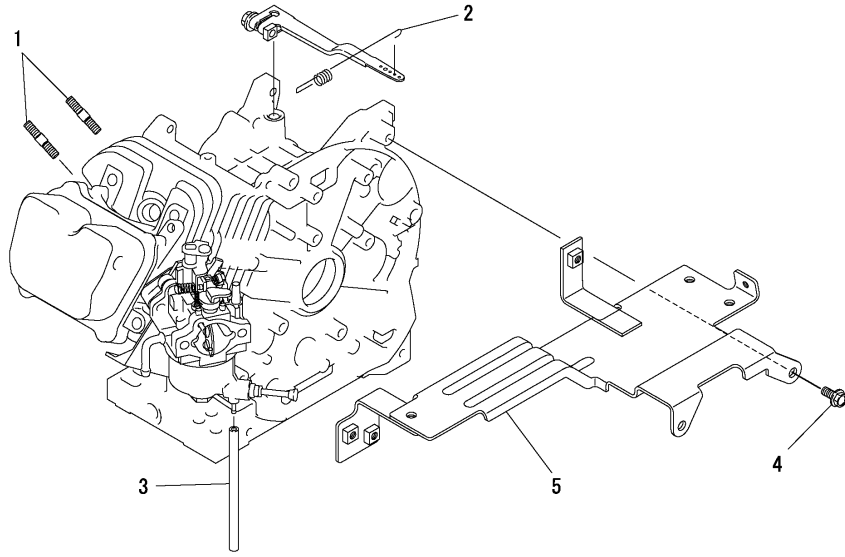
(B)=

(C)=

(D)=

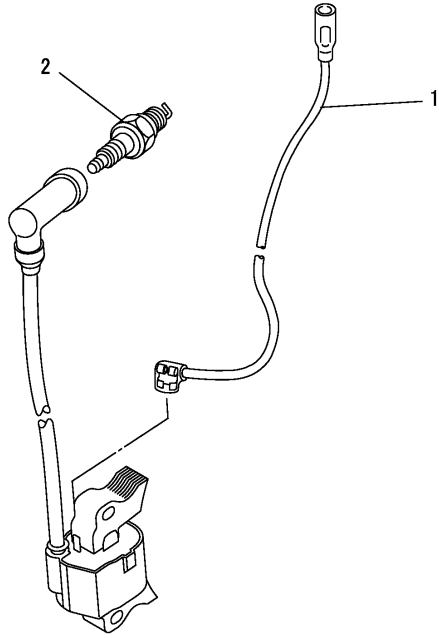
(E)=

(F)=



REF.	LEV.	PARTS NO.	DESCRIPTION	Q'TY						I	R
				(A)	(B)	(C)	(D)	(E)	(F)		
1	1	160999-01530	BOLT,STUD	2							
2	1	1A0021-00020	SPRING,GOV	1							
3	1	1A0021-00030	TUBE,FUEL	1							
4	1	1A0021-00040	BOLT,FLANGE	4							
5	1	1A0023-00020	BRACKET,TANK	1							

Fig.2. LEAD WIRE, PLUG, CAP



0CNP5-G50200 2. LEAD WIRE, PLUG, CAP

(A)=GB180LN-351
(B)=
(C)=

(D)=
(E)=
(F)=

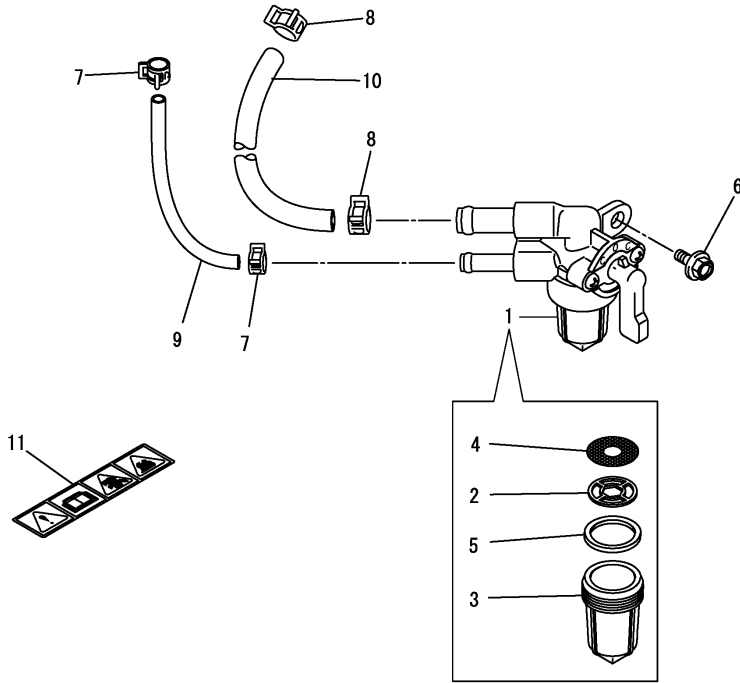
REF.	LEV.	PARTS NO.	DESCRIPTION	QTY						I	R
				(A)	(B)	(C)	(D)	(E)	(F)		
1	1	160999-78730	WIRE,LEAD	1							
2	1	1A0023-00030	PLUG,SPARK	1							

Fig.4. TOOL SET

OCNP5-G50200 4. TOOL SET

(A)=GB180LN-351
(B)=
(C)=

(D)=
(E)=
(F)=



REF.	LEV.	PARTS NO.	DESCRIPTION	Q'TY						I	R
				(A)	(B)	(C)	(D)	(E)	(F)		
1	1	1A0021-00090	COCK,FUEL	1							
2	2	1A0021-00100	PACKING	1							
3	2	1A0021-00110	CUP	1							
4	2	1A0021-00120	FILTER,FUEL	1							
5	2	1A0021-00130	PACKING	1							
6	1	1A0021-00140	BOLT,FLANGE	1							
7	1	1A0021-00150	CLIP	2							
8	1	1A0021-00160	CLIP	2							
9	1	1A0021-00170	HOSE,FUEL	1							
10	1	1A0021-00180	HOSE,FUEL	1							
11	1	1A0023-00050	LABEL,CAUTION	1							

Fig.5. GASKET SET

0CNP5-G50200 5. GASKET SET

(A)=GB180LN-351

(B)=

(C)=

(D)=

(E)=

(F)=

REF.	LEV.	PARTS NO.	DESCRIPTION	QTY						I	R
				(A)	(B)	(C)	(D)	(E)	(F)		
1	1	1A0021-00200	GASKET SET	1							
2	2	1A0021-00210	GASKET,HEAD	1							
3	2	1A0021-00220	GASKET,HEAD COVER	1							
4	2	1A0021-00230	GASKET,CARBURETOR	1							
5	2	1A0021-00240	GASKET,CARBURETOR	1							
6	2	1A0021-00250	GASKET,AIR CLEANER	1							
7	2	1A0021-00260	GASKET,MUFFLER	1							

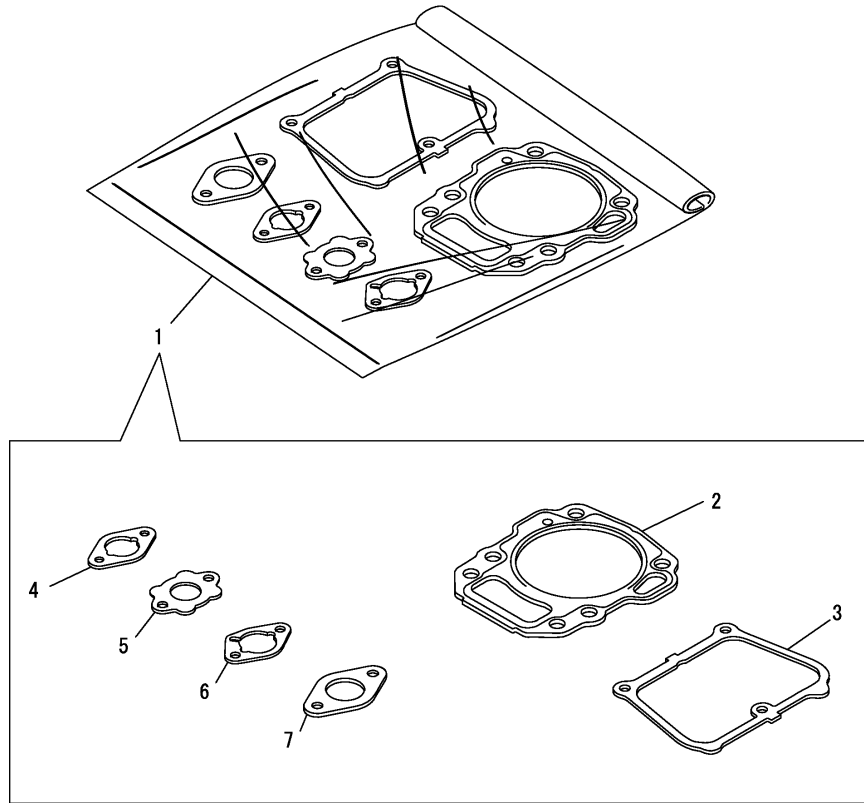


Fig.6. CYLINDER BLOCK GROUP

0CNP5-G50200 6. CYLINDER BLOCK GROUP

(A)=GB180LN-351
(B)=
(C)=

(D)=
(E)=
(F)=

REF.	LEV.	PARTS NO.	DESCRIPTION	QTY						I	R
				(A)	(B)	(C)	(D)	(E)	(F)		
1	1	160999-01720	PLUG,DRAIN	2							
2	1	1A0021-00280	CYLINDER BLOCK	1							
3	1	1A0021-00290	OIL SEAL	1							
4	1	1A0021-00300	BEARING,BALL	1							
5	1	160999-01730	GASKET	2							

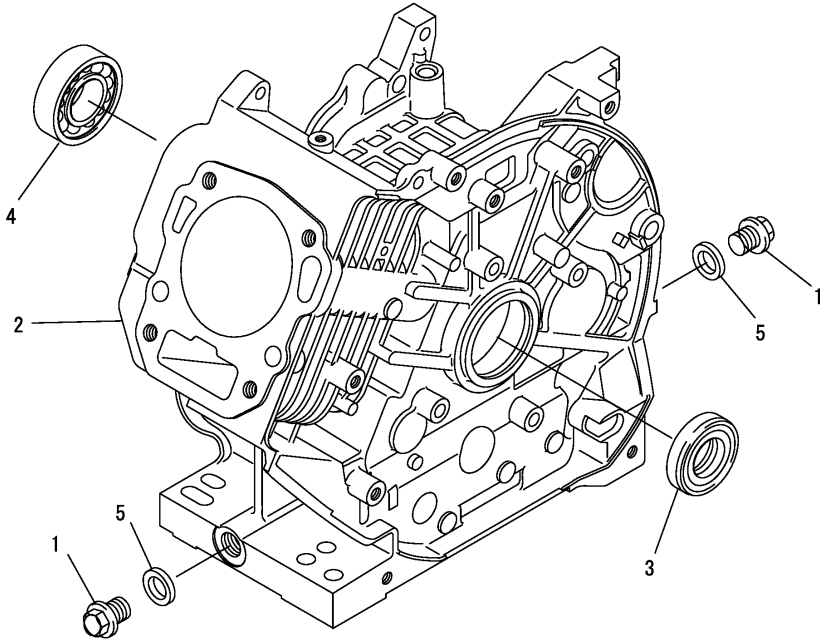


Fig.7. CYLINDER HEAD GROUP

(A)=GB180LN-351

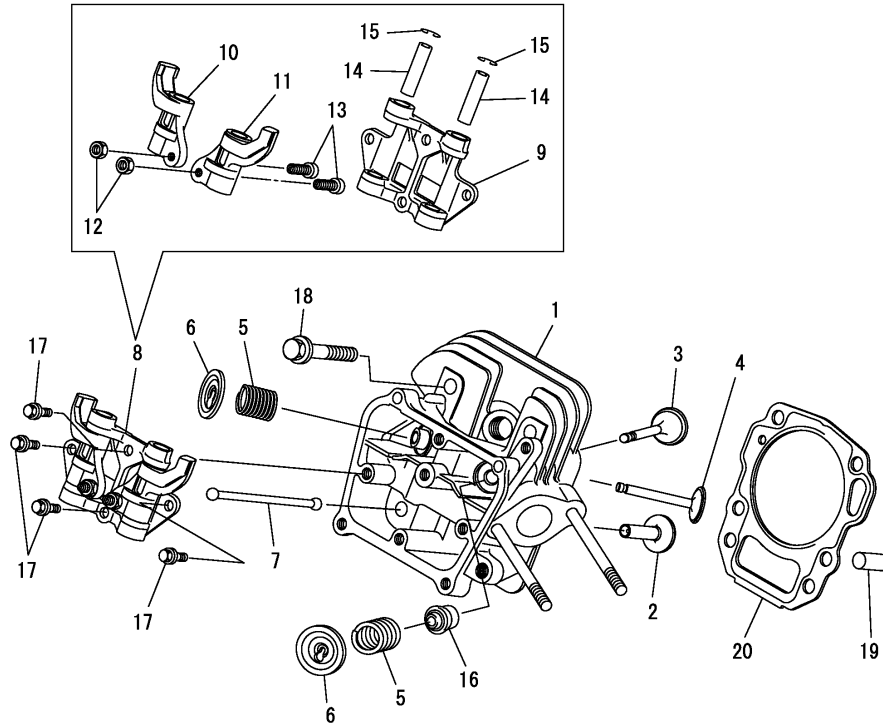
(B)=

(C)=

(D)=

(E)=

(F)=



REF.	LEV.	PARTS NO.	DESCRIPTION	QTY						I	R
				(A)	(B)	(C)	(D)	(E)	(F)		
1	1	1A0023-00060	CYLINDER HEAD ASSY	1							
2	1	1A0021-00320	TAPPET	2							
3	1	1A0021-00330	VALVE,INTAKE	1							
4	1	1A0021-00340	VALVE,EXHAUST	1							
5	1	1A0021-00350	SPRING,VALVE	2							
6	1	1A0021-00360	RETAINER,VALVE SPG	2							
7	1	1A0021-00370	ROD,PUSH	2							
8	1	1A0021-00380	ROCKER ARM ASSY	1							
9	2	1A0021-00390	PLATE,ROCKER	1							
10	2	1A0021-00400	ARM,ROCKER	1							
11	2	1A0021-00410	ARM,ROCKER	1							
12	2	1A0021-00420	NUT	2							
13	2	1A0021-00430	SCREW,ADJUST	2							
14	2	1A0021-00440	SHAFT	2							
15	2	1A0021-00450	CLIP,PISTON PIN	2							
16	1	1A0021-00460	SEAL,VALVE STEM	1							
17	1	1A0021-00470	BOLT,FLANGE	4							
18	1	1A0021-00480	BOLT,FLANGE	4							
19	1	160999-01440	PIN,DOWEL	2							
20	1	1A0021-00210	GASKET,HEAD	1							

Fig.9. CASE COVER GROUP

0CNP5-G50200 9. CASE COVER GROUP

(A)=GB180LN-351

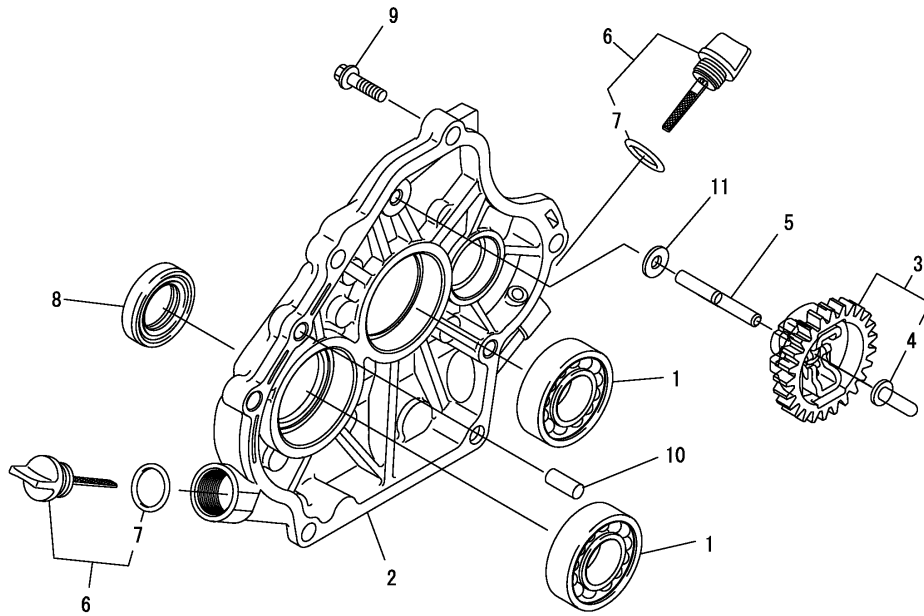
(B)=

(C)=

(D)=

(E)=

(F)=



REF.	LEV.	PARTS NO.	DESCRIPTION	Q'TY						I	R
				(A)	(B)	(C)	(D)	(E)	(F)		
1	1	1A0021-00530	BEARING,BALL	2							
2	1	1A0023-00070	COVER,CRANKCASE	1							
3	1	1A0021-00550	GOVERNOR GEAR ASSY	1							
4	2	1A0021-00560	SLIDER,GOV	1							
5	1	1A0021-00570	SHAFT,GOV	1							
6	1	1A0021-00580	GAUGE,OIL	2							
7	2	1A0021-00590	O-RING	2							
8	1	1A0021-00290	OIL SEAL	1							
9	1	1A0021-00600	BOLT,FLANGE	6							
10	1	160999-01440	PIN,DOWEL	2							
11	1	1A0021-00610	WASHER	1							

Fig.11. PISTON & ROD GROUP

(A)=GB180LN-351

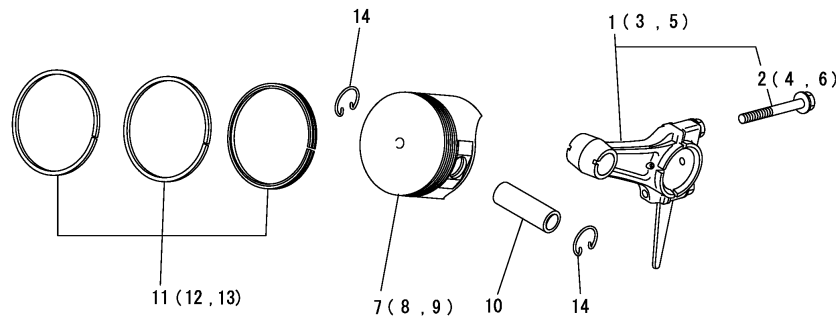
(B)=

(C)=

(D)=

(E)=

(F)=



REF.	LEV.	PARTS NO.	DESCRIPTION	Q'TY						I	R
				(A)	(B)	(C)	(D)	(E)	(F)		
1	1	1A0021-00710	CONNECTING ROD ASSY	1							
2	2	1A0021-00740	BOLT,FLANGE	2							
3	1	1A0021-00720	CONNECTING ROD ASSY	1							1
4	2	1A0021-00740	BOLT,FLANGE	2							
5	1	1A0021-00730	CONNECTING ROD ASSY	1							2
6	2	1A0021-00740	BOLT,FLANGE	2							
7	1	1A0021-00750	PISTON	1							
8	1	1A0021-00760	PISTON	1							3
9	1	1A0021-00770	PISTON	1							4
10	1	1A0021-00780	PIN,PISTON	1							
11	1	1A0021-00790	PISTON RING SET	1							
12	1	1A0021-00800	PISTON RING SET	1							3
13	1	1A0021-00810	PISTON RING SET	1							4
14	1	1A0021-00820	CLIP,PISTON PIN	2							

Remarks

- (1)Under sized(U.S.=0.25)parts.
- (2)Under sized(U.S.=0.50)parts.
- (3)Over sized(U.S.=0.25)parts.
- (4)Over sized(U.S.=0.50)parts.

Fig.12. MAGNETO GROUP

(A)=GB180LN-351

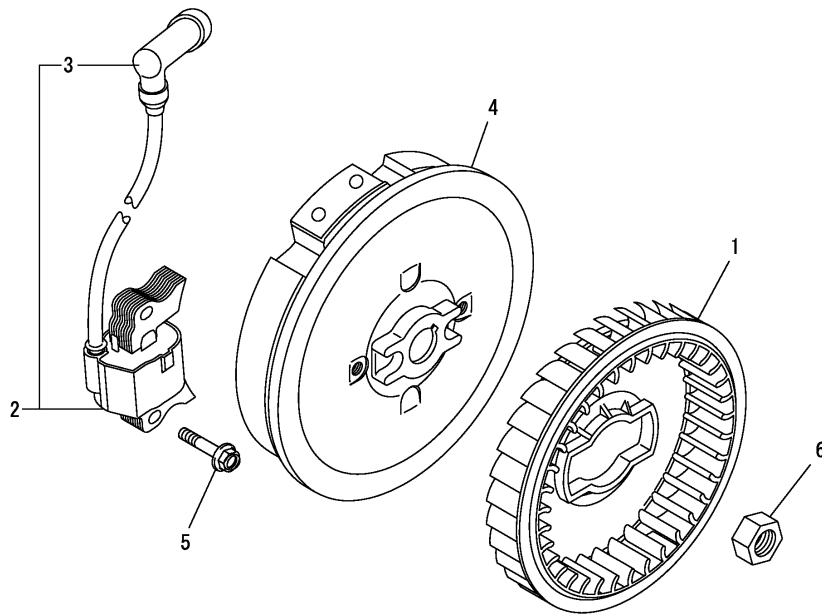
(B)=

(C)=

(D)=

(E)=

(F)=



REF.	LEV.	PARTS NO.	DESCRIPTION	QTY						I	R
				(A)	(B)	(C)	(D)	(E)	(F)		
1	1	1A0021-00840	FAN	1							
2	1	1A0023-00080	COIL,IGNITION	1							
3	2	160999-78530	CAP,PLUG	1							
4	1	1A0021-00860	FLYWHEEL	1							
5	1	1A0021-00870	BOLT,FLANGE	2							
6	1	1A0021-00880	NUT	1							

Fig.13. AIR CLEANER GROUP

(A)=GB180LN-351

(B)=

(C)=

(D)=

(E)=

(F)=

REF.	LEV.	PARTS NO.	DESCRIPTION	Q'TY						I	R
				(A)	(B)	(C)	(D)	(E)	(F)		
1	1	1A0023-00090	AIR CLEANER ASSY	1							
2	2	1A0023-00100	CAP	1							
3	2	1A0021-00920	ELEMENT,CLEANER	1							
4	2	1A0021-00930	OIL PAN ASSY	1							
5	1	1A0021-00940	TUBE,BREATHER	1							
6	1	160999-04330	BOLT,STUD	2							
7	1	1A0021-00950	NUT,FLANGE	2							

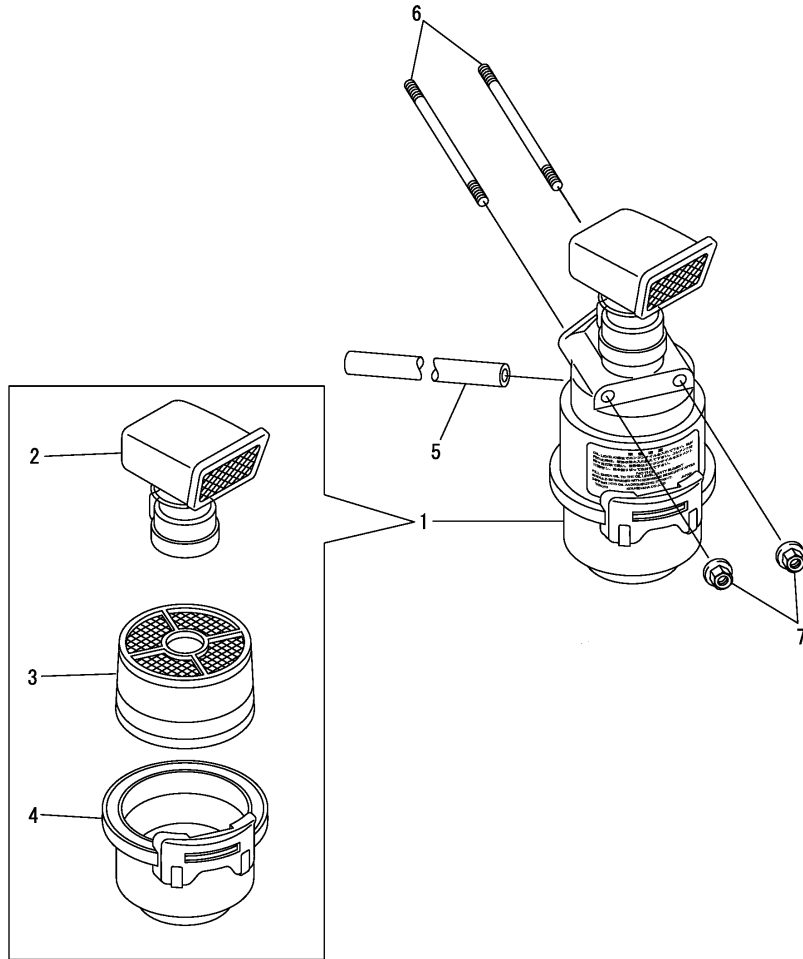


Fig.14. CARBURATOR GROUP

(A)=GB180LN-351

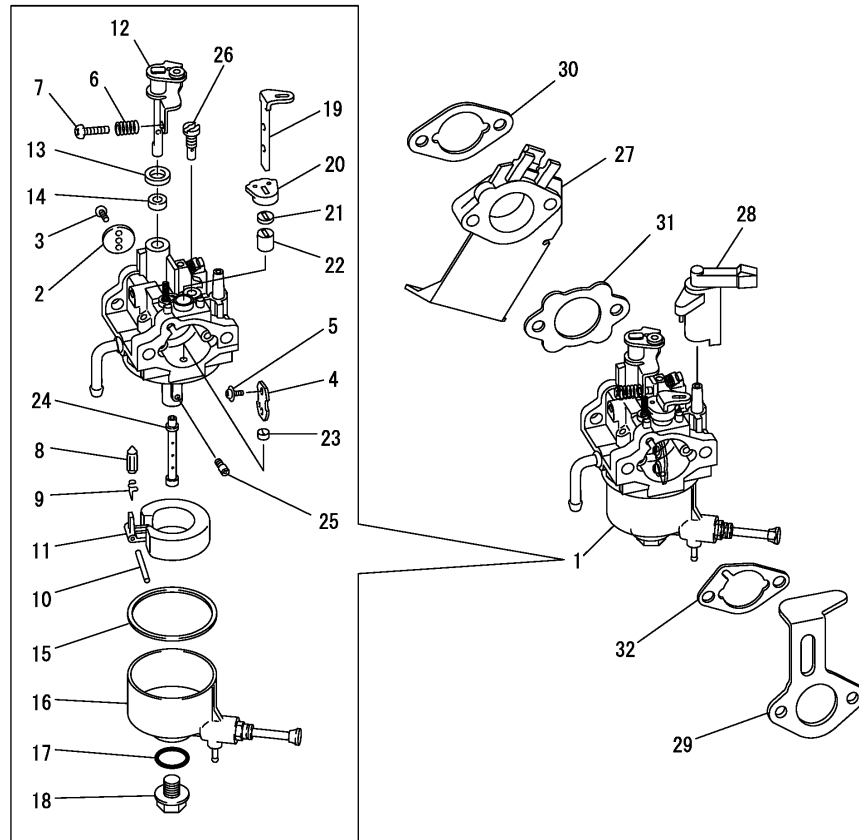
(B)=

(C)=

(D)=

(E)=

(F)=



REF.	LEV.	PARTS NO.	DESCRIPTION	QTY						I	R
				(A)	(B)	(C)	(D)	(E)	(F)		
1	1	1A0021-00970	CARBURETOR(F)	1							
2	2	1A0021-00980	VALVE,THROTTLE	1							
3	2	1A0021-00990	SCREW	2							
4	2	1A0021-01000	VALVE,CHOKE	1							
5	2	1A0021-01010	SCREW	2							
6	2	1A0021-01020	SPRING	1							
7	2	1A0021-01030	SCREW	1							
8	2	1A0021-01040	VALVE,NEEDLE	1							
9	2	1A0021-01050	CLIP	1							
10	2	1A0021-01060	PIN	1							
11	2	1A0021-01070	FLOAT	1							
12	2	1A0021-01080	SHAFT,THROTTLE	1							
13	2	1A0021-01090	PACKING	1							
14	2	1A0021-01100	SEAL	1							
15	2	1A0021-01110	GASKET	1							
16	2	1A0021-01120	CHAMBER,FLOAT	1							
17	2	1A0021-01130	O-RING	1							
18	2	1A0021-01140	BOLT	1							
19	2	1A0021-01150	LEVER,CHOKE	1							
20	2	1A0021-01160	RING	1							
21	2	1A0021-01170	SEAL	1							
22	2	1A0021-01180	RING	1							
23	2	1A0021-01190	RING	1							
24	2	1A0021-01200	NOZZLE,MAIN	1							
25	2	1A0021-01210	JET,MAIN	1							
26	2	1A0021-01220	JET,PILOT	1							
27	1	1A0021-01230	INSULATOR	1							
28	1	1A0021-01240	LEVER,CHOKE	1							
29	1	1A0021-01250	BRACKET,CHOKE	1							
30	1	1A0021-00230	GASKET,CARBURETOR	1							
31	1	1A0021-00240	GASKET,CARBURETOR	1							
32	1	1A0021-00250	GASKET,AIR CLEANER	1							

Fig.15. CONTROL PANEL GROUP

(A)=GB180LN-351

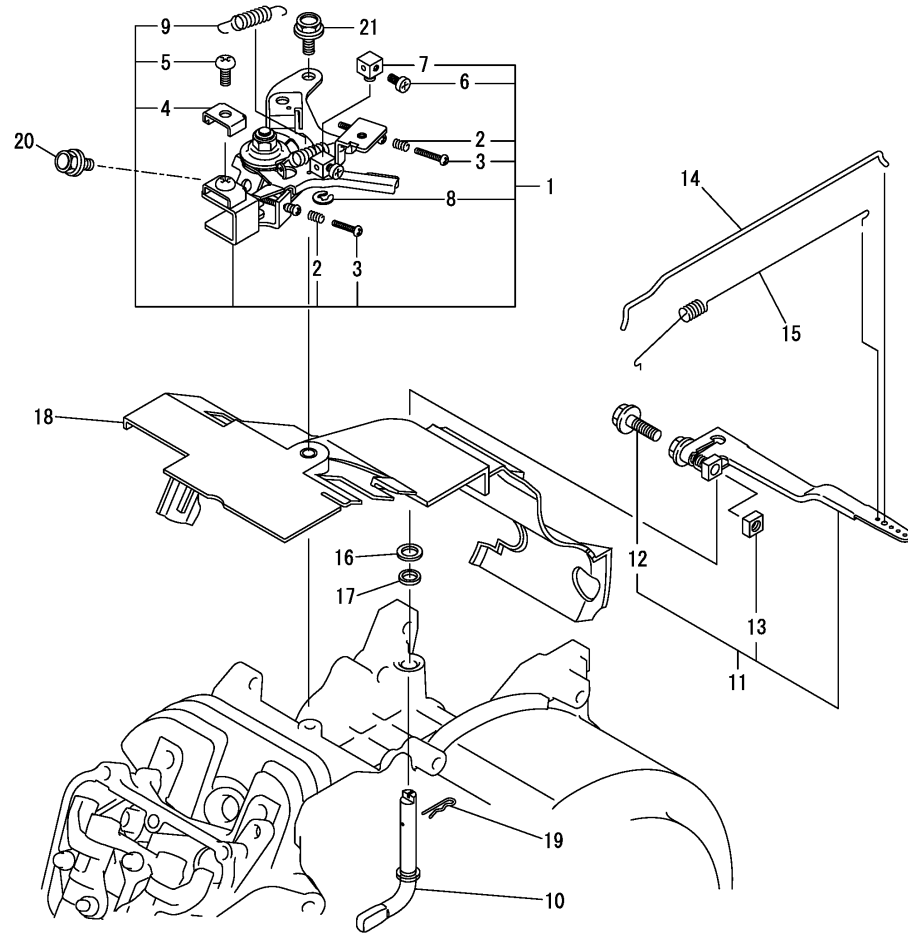
(B)=

(C)=

(D)=

(E)=

(F)=



REF.	LEV.	PARTS NO.	DESCRIPTION	QTY						I	R
				(A)	(B)	(C)	(D)	(E)	(F)		
1	1	1A0021-01270	CONTROL PANEL ASSY	1							
2	2	1A0021-01280	SPRING	2							
3	2	1A0021-01290	SCREW,PAN-CRS	2							
4	2	1A0021-01300	CLAMP	1							
5	2	1A0021-01310	SCREW,PAN-CRS	1							
6	2	160999-66840	BOLT,CRS	1							
7	2	1A0021-01320	STOPPER	1							
8	2	160999-66820	SNAP RING	1							
9	2	1A0021-01330	SPRING,RETURN	1							
10	1	1A0021-01340	SHAFT,GOV	1							
11	1	1A0021-01350	LEVER,GOV	1							
12	2	1A0021-01360	BOLT,FLANGE	1							
13	2	1A0021-01370	NUT	1							
14	1	1A0021-01380	ROD,GOV	1							
15	1	1A0021-01390	SPRING,ROD	1							
16	1	160999-66290	WASHER	1							
17	1	160999-66270	SEAL,DUST	1							
18	1	1A0021-01400	COVER,TOP	1							
19	1	160999-66280	CLIP	1							
20	1	1A0021-00510	BOLT,FLANGE	1							
21	1	1A0021-00040	BOLT,FLANGE	1							

Fig.16. FAN COVER GROUP

0CNP5-G50200 16. FAN COVER GROUP

(A)=GB180LN-351

(B)=

(C)=

(D)=

(E)=

(F)=

REF.	LEV.	PARTS NO.	DESCRIPTION	Q'TY						I	R
				(A)	(B)	(C)	(D)	(E)	(F)		
1	1	1A0021-01420	COVER,FAN	1							
2	1	1A0021-01430	COVER,CYLINDER	1							
3	1	1A0021-01440	RUBBER CUSHION	1							
4	1	1A0021-01450	RUBBER CUSHION	3							
5	1	1A0021-00510	BOLT,FLANGE	5							

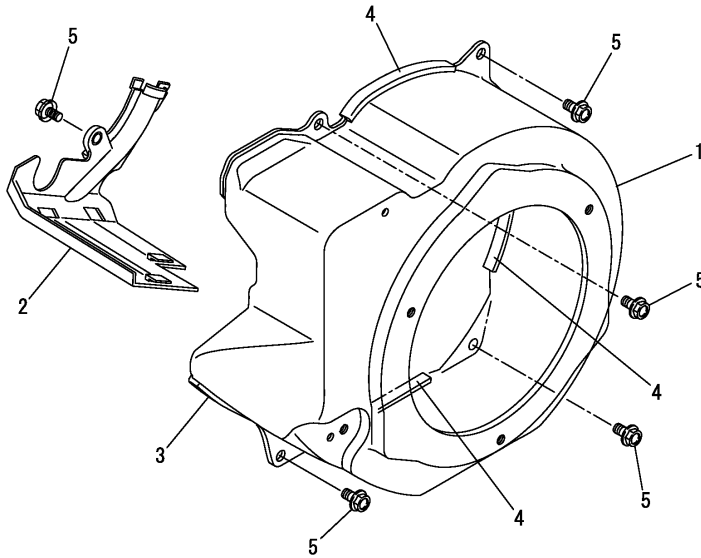


Fig.17. RECOIL STARTER GROUP

(A)=GB180LN-351

(B)=

(C)=

(D)=

(E)=

(F)=

REF.	LEV.	PARTS NO.	DESCRIPTION	QTY						I	R
				(A)	(B)	(C)	(D)	(E)	(F)		
1	1	1A0023-00110	RECOIL STARTER ASSY	1							
2	2	1A0023-00120	CASE,STARTER	1							
3	2	1A0023-00130	REEL	1							
4	2	1A0023-00140	RATCHET	2							
5	2	1A0023-00150	SPRING, SPIRAL	1							
6	2	1A0023-00160	SPRING, FRICTION	1							
7	2	1A0023-00170	GUIDE	1							
8	2	1A0023-00180	SCREW	1							
9	2	1A0023-00190	ROPE	1							
10	2	1A0023-00200	KNOB, STARTER	1							
11	2	1A0023-00210	PULLEY, STARTER	1							
12	1	1A0023-00220	BOLT, FLANGE	3							

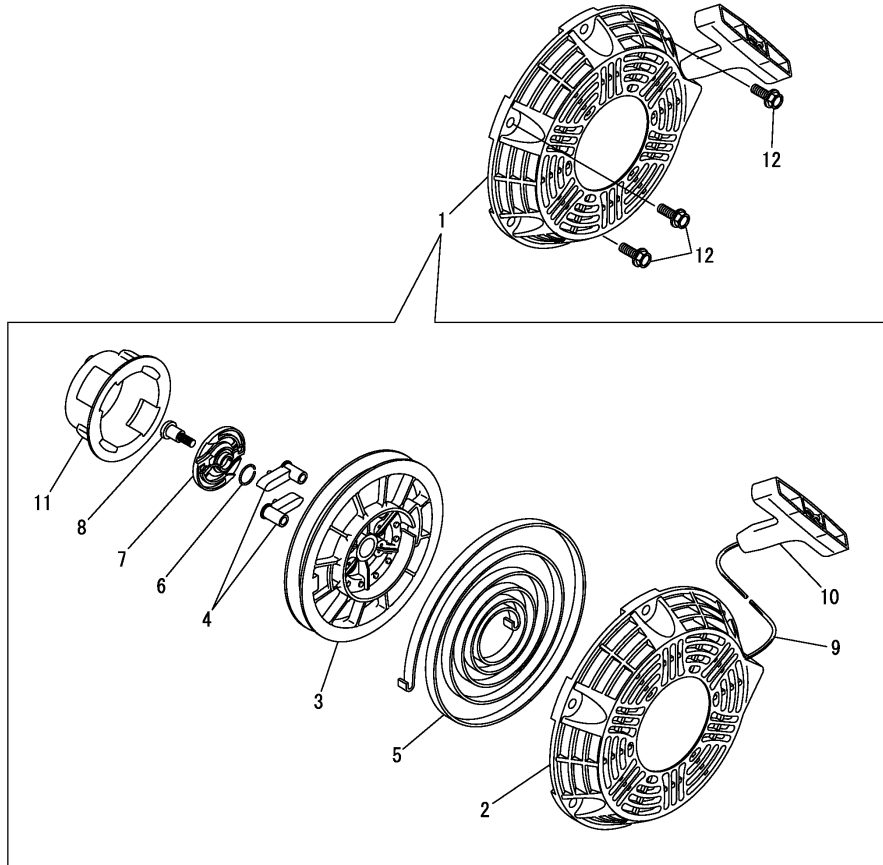
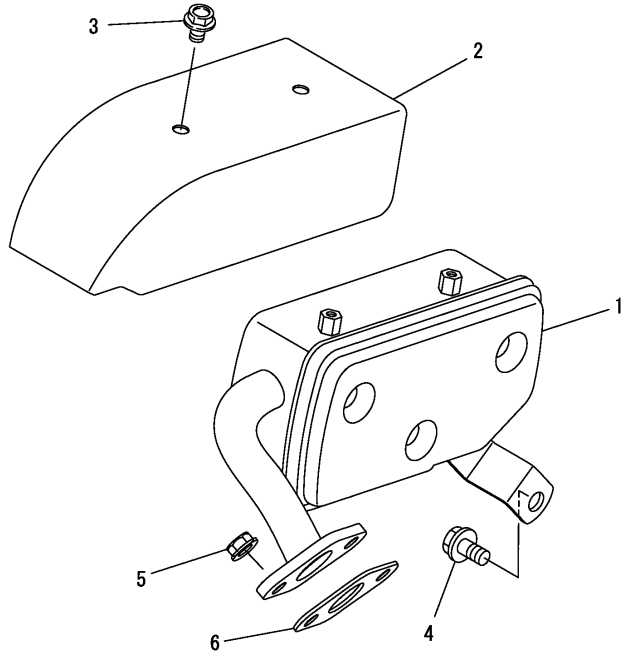


Fig.18. MUFFLER GROUP



0CNP5-G50200 18. MUFFLER GROUP

(A)=GB180LN-351
(B)=
(C)=

(D)=
(E)=
(F)=

REF.	LEV.	PARTS NO.	DESCRIPTION	QTY						I	R
				(A)	(B)	(C)	(D)	(E)	(F)		
1	1	1A0023-00230	MUFFLER	1							
2	1	1A0023-00240	COVER,MUFFLER	1							
3	1	1A0021-01650	BOLT,FLANGE	2							
4	1	1A0021-01660	BOLT,FLANGE	1							
5	1	1A0021-01670	NUT,CONICAL SPG	2							
6	1	1A0021-00260	GASKET,MUFFLER	1							

Part Number Index

All parts are stipulated in the order of part numbers.

(Depending on the area in which the part is used.)

This index will display the location of the part according to each part number.

PARTS No. INDEX

PARTS No.	Fig.	Ref.No.
160999-01440	7	19
	9	10
160999-01530	1	1
160999-01720	6	1
160999-01730	6	5
160999-04330	13	6
160999-14510	10	9
160999-66270	15	17
160999-66280	15	19
160999-66290	15	16
160999-66820	15	8
160999-66840	15	6
160999-78530	12	3
160999-78730	2	1
1A0021-00020	1	2
1A0021-00030	1	3
1A0021-00040	1	4
	15	21
1A0021-00090	4	1
1A0021-00100	4	2
1A0021-00110	4	3
1A0021-00120	4	4
1A0021-00130	4	5
1A0021-00140	4	6
1A0021-00150	4	7
1A0021-00160	4	8
1A0021-00170	4	9
1A0021-00180	4	10
1A0021-00200	5	1
1A0021-00210	5	2
	7	20
1A0021-00220	5	3
	8	3
1A0021-00230	5	4
	14	30
1A0021-00240	5	5
	14	31
1A0021-00250	5	6
	14	32
1A0021-00260	5	7
	18	6
1A0021-00280	6	2
1A0021-00290	6	3
	9	8
1A0021-00300	6	4
1A0021-00320	7	2
1A0021-00330	7	3
1A0021-00340	7	4
1A0021-00350	7	5
1A0021-00360	7	6

PARTS No.	Fig.	Ref.No.
1A0021-00370	7	7
1A0021-00380	7	8
1A0021-00390	7	9
1A0021-00400	7	10
1A0021-00410	7	11
1A0021-00420	7	12
1A0021-00430	7	13
1A0021-00440	7	14
1A0021-00450	7	15
1A0021-00460	7	16
1A0021-00470	7	17
1A0021-00480	7	18
1A0021-00500	8	1
1A0021-00510	8	2
	15	20
	16	5
1A0021-00530	9	1
1A0021-00550	9	3
1A0021-00560	9	4
1A0021-00570	9	5
1A0021-00580	9	6
1A0021-00590	9	7
1A0021-00600	9	9
1A0021-00610	9	11
1A0021-00630	10	1
1A0021-00640	10	2
1A0021-00650	10	3
1A0021-00660	10	4
		6
1A0021-00670	10	5
1A0021-00680	10	7
1A0021-00690	10	8
1A0021-00710	11	1
1A0021-00720	11	3
1A0021-00730	11	5
1A0021-00740	11	2
		4
		6
1A0021-00750	11	7
1A0021-00760	11	8
1A0021-00770	11	9
1A0021-00780	11	10
1A0021-00790	11	11
1A0021-00800	11	12
1A0021-00810	11	13
1A0021-00820	11	14
1A0021-00840	12	1
1A0021-00860	12	4
1A0021-00870	12	5
1A0021-00880	12	6

PARTS No.	Fig.	Ref.No.
1A0021-00920	13	3
1A0021-00930	13	4
1A0021-00940	13	5
1A0021-00950	13	7
1A0021-00970	14	1
1A0021-00980	14	2
1A0021-00990	14	3
1A0021-01000	14	4
1A0021-01010	14	5
1A0021-01020	14	6
1A0021-01030	14	7
1A0021-01040	14	8
1A0021-01050	14	9
1A0021-01060	14	10
1A0021-01070	14	11
1A0021-01080	14	12
1A0021-01090	14	13
1A0021-01100	14	14
1A0021-01110	14	15
1A0021-01120	14	16
1A0021-01130	14	17
1A0021-01140	14	18
1A0021-01150	14	19
1A0021-01160	14	20
1A0021-01170	14	21
1A0021-01180	14	22
1A0021-01190	14	23
1A0021-01200	14	24
1A0021-01210	14	25
1A0021-01220	14	26
1A0021-01230	14	27
1A0021-01240	14	28
1A0021-01250	14	29
1A0021-01270	15	1
1A0021-01280	15	2
1A0021-01290	15	3
1A0021-01300	15	4
1A0021-01310	15	5
1A0021-01320	15	7
1A0021-01330	15	9
1A0021-01340	15	10
1A0021-01350	15	11
1A0021-01360	15	12
1A0021-01370	15	13
1A0021-01380	15	14
1A0021-01390	15	15
1A0021-01400	15	18
1A0021-01420	16	1
1A0021-01430	16	2
1A0021-01440	16	3

PARTS No.	Fig.	Ref.No.
1A0021-01450	16	4
1A0021-01650	18	3
1A0021-01660	18	4
1A0021-01670	18	5
1A0023-00020	1	5
1A0023-00030	2	2
1A0023-00040	3	1
1A0023-00050	4	11
1A0023-00060	7	1
1A0023-00070	9	2
1A0023-00080	12	2
1A0023-00090	13	1
1A0023-00100	13	2
1A0023-00110	17	1
1A0023-00120	17	2
1A0023-00130	17	3
1A0023-00140	17	4
1A0023-00150	17	5
1A0023-00160	17	6
1A0023-00170	17	7
1A0023-00180	17	8
1A0023-00190	17	9
1A0023-00200	17	10
1A0023-00210	17	11
1A0023-00220	17	12
1A0023-00230	18	1
1A0023-00240	18	2



YANMAR CO.,LTD.

CONTENTS

MODEL : MRT650EX,PQZ

PC NO : 0CNP5-G50100

Fig.No. GROUP NAME

PULLEY, TENSION PART

1. ENGINE STAY
2. ENGINE PULLEY
3. MAIN PULLEY
4. TENSION CLUTCH

MISSION PART

5. MISSION CASE
6. MAIN SHAFT
7. SUB SHAFT
8. FINAL SHAFT
9. DECELERATION SHAFT
10. COUNTER SHAFT
11. AXLE SHAFT
12. DIFFERENTIAL
13. MAIN SHIFT

TIRE PART

14. TIRE

TILLING PART

15. TILLAGE SHAFT
16. TINE SHAFT
17. TILLING COVER
18. COVER

HANDLE PART

19. HANDLE
20. HANDLE COVER
21. CONTROL LEVER

Fig.No. GROUP NAME

ENGINE FRAME PART

22. ENGINE FRAME
23. BUMPER
24. BELT COVER
25. FUEL TANK
26. BONNET
27. TAIL WHEEL
28. SKID

ELEC.,LABEL,ACCESSORY PART

29. ELECTRIC PART
30. LABEL
31. LABEL(SAFETY)
32. TOOL, ACCESSORY

SPARE PARTS PART

33. MISSION ASSY

Fig.2. ENGINE PULLEY

0CNP5-G50100 2. ENGINE PULLEY

(A)=MRT650EX,PQZ

(B)=

(C)=

(D)=

(E)=

(F)=

REF.	LEV.	PARTS NO.	DESCRIPTION	Q'TY						I	R
				(A)	(B)	(C)	(D)	(E)	(F)		
1	1	1D1140-11420	WASHER,PULLEY	1							
2	1	1A2740-12000	V PULLEY	1							
3	1	1A2740-12100	BELT, SB39 HP2	1							
4	1	22512-050300	KEY, 5X30	1							
5	1	26013-080162	BOLT W/WASHER M8X16	1							

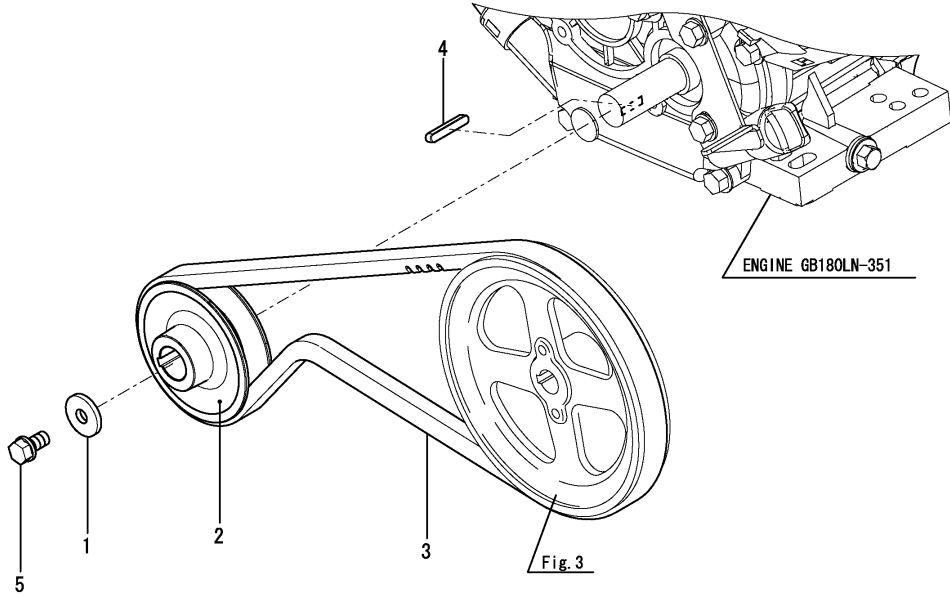
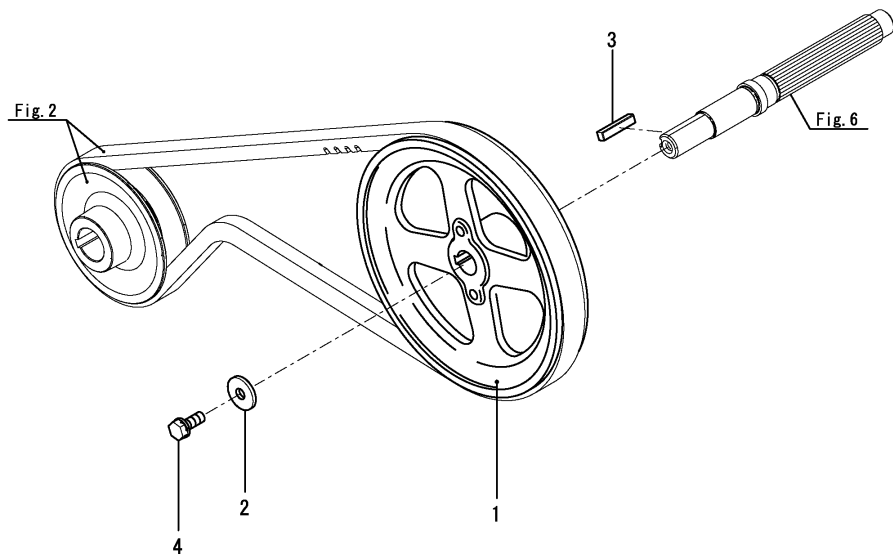


Fig.3. MAIN PULLEY



0CNP5-G50100 3. MAIN PULLEY

(A)=MRT650EX,PQZ
(B)=
(C)=

(D)=
(E)=
(F)=

REF.	LEV.	PARTS NO.	DESCRIPTION	Q'TY						I	R
				(A)	(B)	(C)	(D)	(E)	(F)		
1	1	1A2740-13300	V PULLEY	1							
2	1	22157-060000	WASHER 6	1							
3	1	22550-050250	KEY 5X25	1							
4	1	26013-060162	BOLT M 6X 16	1							

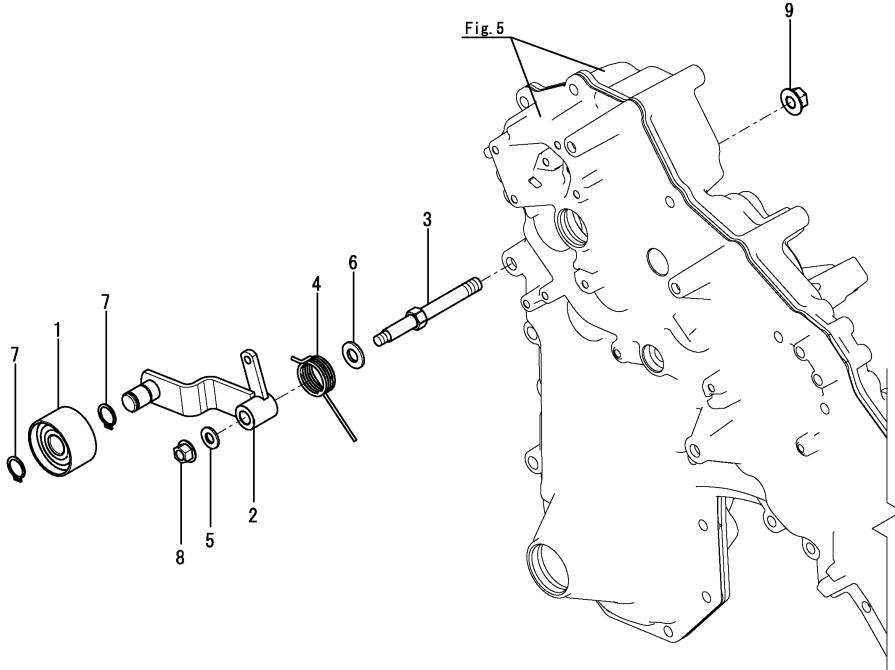
Fig.4. TENSION CLUTCH

OCNP5-G50100 4. TENSION CLUTCH

(A)=MRT650EX,PQZ
(B)=
(C)=

(D)=
(E)=
(F)=

REF.	LEV.	PARTS NO.	DESCRIPTION	Q'TY						I	R
				(A)	(B)	(C)	(D)	(E)	(F)		
1	1	1A2480-13100	ROLLER COMP.,TENSION	1							
2	1	1A2740-13500	ARM CMP, TENSION	1							
3	1	1A2740-13550	BOLT, TENSION	1							
4	1	1A2740-13600	SPRING, RETURN	1							
5	1	22137-080000	WASHER 8, POLISHED	1							
6	1	22137-100000	WASHER 10,POLISHED	1							
7	1	22242-000150	CIRCLIP 15	2							
8	1	26367-080002	NUT, 8	1							
9	1	26377-100002	U-NUT M10	1							



Remarks

* Mission assy is shown in Fig.33.

Fig.5. MISSION CASE

(A)=MRT650EX,PQZ

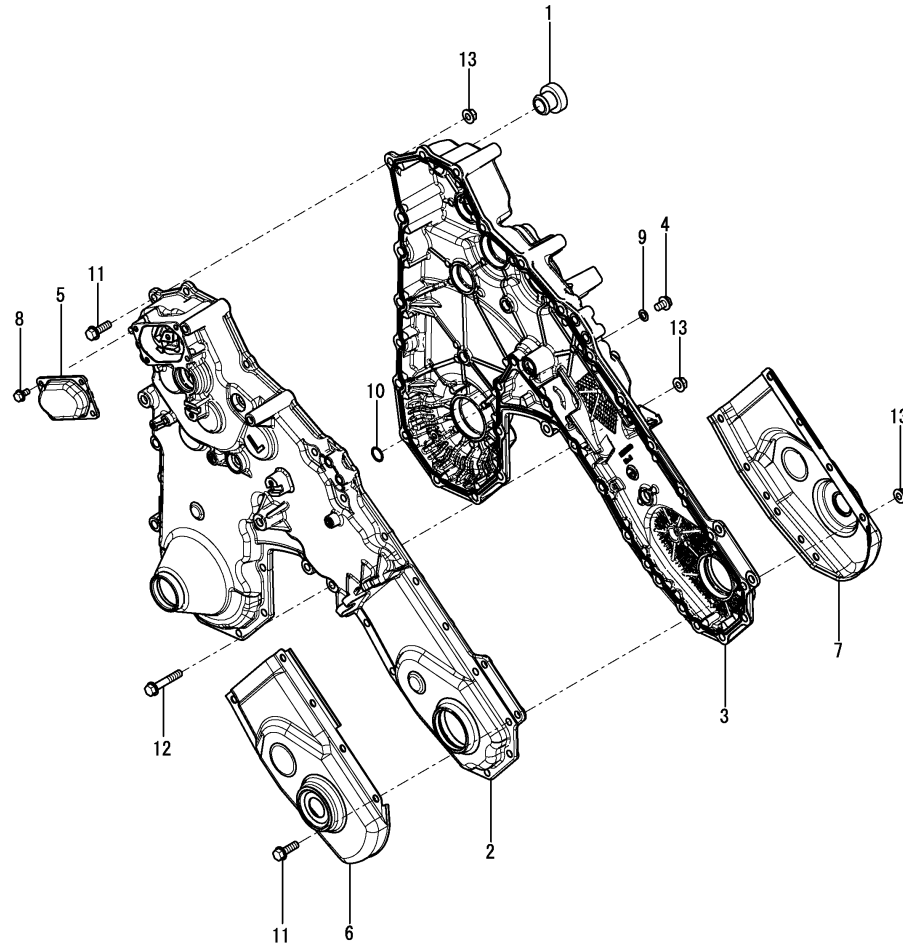
(B)=

(C)=

(D)=

(E)=

(F)=



REF.	LEV.	PARTS NO.	DESCRIPTION	Q'TY						I	R
				(A)	(B)	(C)	(D)	(E)	(F)		
1	1	1A1470-20090	CAP 35,OIL FILLER	1							
2	1	1A2740-21000	CASE, TRANSMISSION L	1							
3	1	1A2740-21010	CASE, TRANSMISSION R	1							
4	1	1A2001-21250	BOLT M8X12,COLLAR HD	1							
5	1	1A2740-21300	COVER, HORK	1							
6	1	1A2740-21400	COVER CMP,PROTECT L	1							
7	1	1A2740-21410	COVER CMP,PROTECT R	1							
8	1	1A1750-90200	SCREW 6X12,COLLAR HD	4							
9	1	23414-080000	GASKET 8, ROUND	1							
10	1	24341-000160	O-RING 1A S-16.0	1							
11	1	26106-080252	BOLT M 8X 25 PLATED	20							
12	1	26106-080452	BOLT M 8X 45 PLATED	4							
13	1	26367-080002	NUT, 8	24							

Remarks

* Mission assy is shown in Fig.33.

N:Old $\xrightarrow{\text{Yes}}$ New, Q:Old $\xrightarrow{\text{No}}$ New, R:Old $\xrightarrow{\text{Yes}}$ New, S:Old $\xrightarrow{\text{No}}$ New, W:Add, Z:Discontinued, F:Interchangeable by set, K:Q'ty Change

Fig.6. MAIN SHAFT

0CNP5-G50100 6. MAIN SHAFT

(A)=MRT650EX,PQZ

(B)=

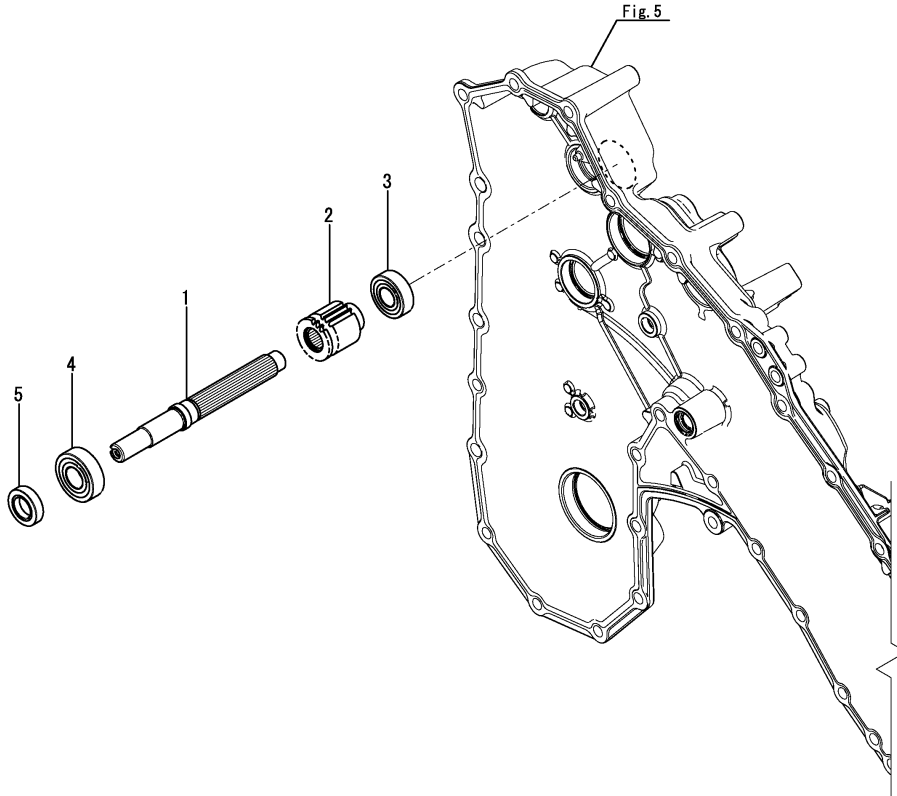
(C)=

(D)=

(E)=

(F)=

REF.	LEV.	PARTS NO.	DESCRIPTION	Q'TY						I	R
				(A)	(B)	(C)	(D)	(E)	(F)		
1	1	1A2740-23000	SHAFT, MAIN	1							
2	1	1A2740-23010	GEAR, 11T	1							
3	1	24104-062024	BALL BEARING	1							
4	1	24104-062034	BALL BEARING	1							
5	1	24421-173008	SEAL TC17 30 08, OIL	1							



Remarks

* Mission assy is shown in Fig.33.

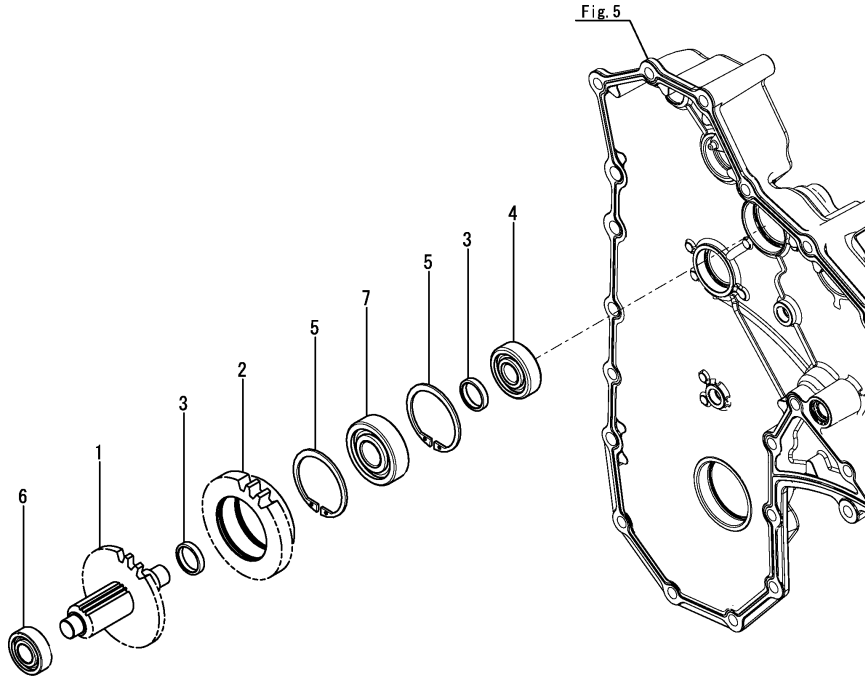
N:Old $\xrightarrow{\text{Yes}}$ New, Q:Old $\xrightarrow{\text{No}}$ New, R:Old $\xrightarrow{\text{Yes}}$ New, S:Old $\xrightarrow{\text{No}}$ New, W:Add, Z:Discontinued, F:Interchangeable by set, K:Q'ty Change

Fig.7. SUB SHAFT

(A)=MRT650EX,PQZ
(B)=
(C)=

(D)=
(E)=
(F)=

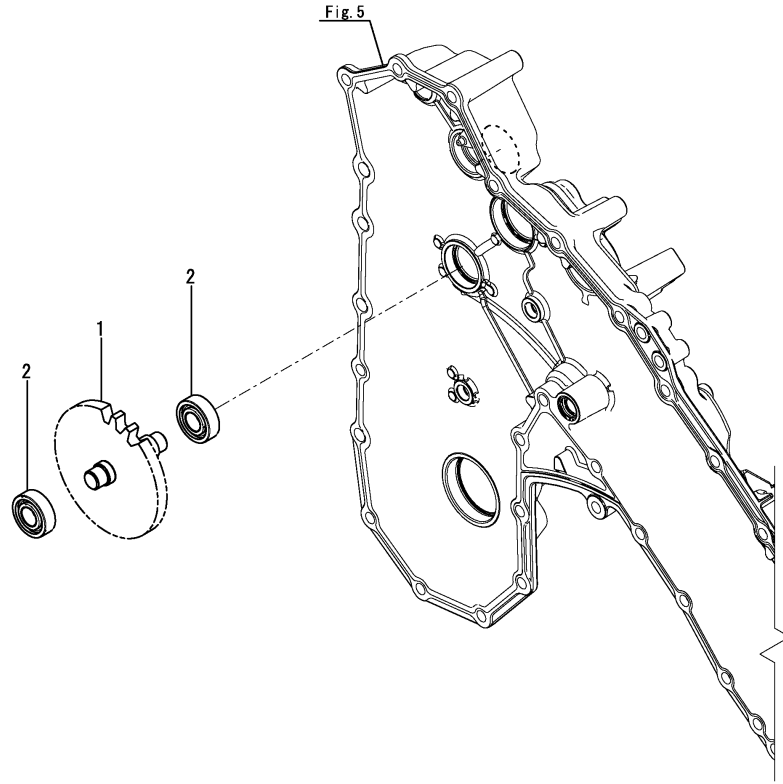
REF.	LEV.	PARTS NO.	DESCRIPTION	QTY						I	R	
				(A)	(B)	(C)	(D)	(E)	(F)			
1	1	1A2740-23100	SUB SHAFT CMP	1								
2	1	1A2740-23150	GEAR, 31T(R FR	1								
3	1	1A2740-23160	COLLAR, 20X25X4.5	2								
4	1	1A2000-23251	BEARING 6302-9T3C	1								
5	1	22252-000520	CIRCLIP 52	2								
6	1	24101-062024	BALL BEARING	1								
7	1	24101-063044	BALL BEARING	1								



Remarks

* Mission assy is shown in Fig.33.

Fig.8. FINAL SHAFT



0CNP5-G50100 8. FINAL SHAFT

(A)=MRT650EX,PQZ
(B)=
(C)=

(D)=
(E)=
(F)=

REF.	LEV.	PARTS NO.	DESCRIPTION	Q'TY						I	R	
				(A)	(B)	(C)	(D)	(E)	(F)			
1	1	1A2740-23200	FINAL SHAFT CMP	1								
2	1	24101-062024	BALL BEARING	2								

Remarks

* Mission assy is shown in Fig.33.

Fig.9. DECELERATION SHAFT

0CNP5-G50100 9. DECELERATION SHAFT

(A)=MRT650EX,PQZ

(B)=

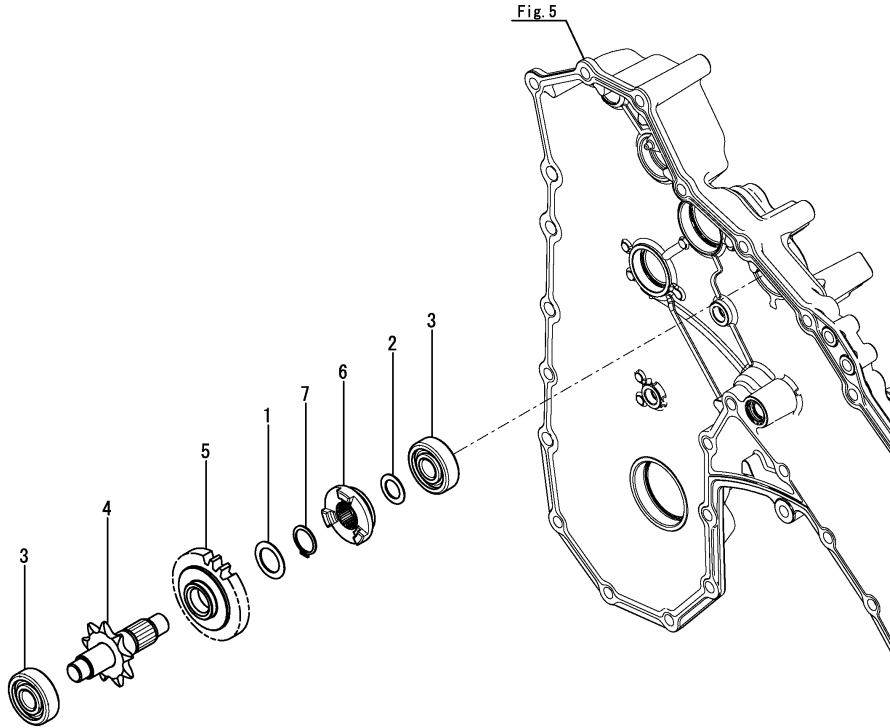
(C)=

(D)=

(E)=

(F)=

REF.	LEV.	PARTS NO.	DESCRIPTION	Q'TY						I	R
				(A)	(B)	(C)	(D)	(E)	(F)		
1	1	1A1105-23200	LINER 30X20.2X1	1							
2	1	1A1735-23250	SPACER 15X24X1.0	1							
3	1	1A2000-23251	BEARING 6302-9T3C	2							
4	1	1A2740-23300	SHAFT CMP	1							
5	1	1A2740-23350	GEAR 26 CMP	1							
6	1	1A2480-23380	DOG CLUTCH	1							
7	1	22242-000200	CIRCLIP 20	1							



Remarks

* Mission assy is shown in Fig.33.

N:Old $\xrightarrow{\text{Yes}}$ New, Q:Old $\xrightarrow{\text{No}}$ New, R:Old $\xrightarrow{\text{Yes}}$ New, S:Old $\xrightarrow{\text{No}}$ New, W:Add, Z:Discontinued, F:Interchangeable by set, K:Q'ty Change

Fig.10. COUNTER SHAFT

0CNP5-G50100 10. COUNTER SHAFT

(A)=MRT650EX,PQZ

(B)=

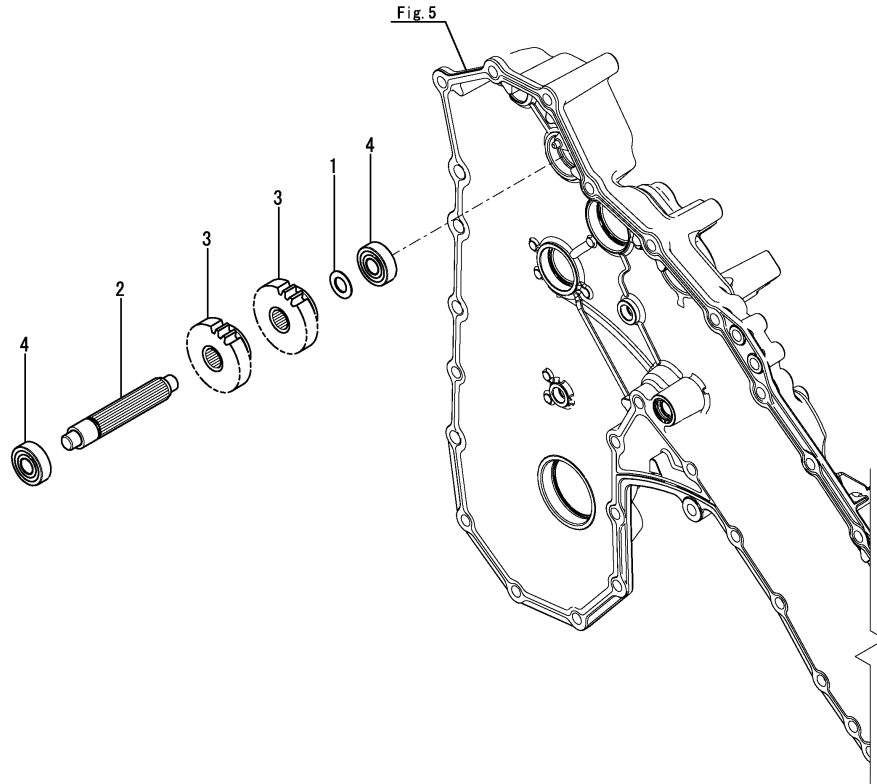
(C)=

(D)=

(E)=

(F)=

REF.	LEV.	PARTS NO.	DESCRIPTION	Q'TY						I	R
				(A)	(B)	(C)	(D)	(E)	(F)		
1	1	1A2320-23150	SIM	1							
2	1	1A2740-23400	SHAFT, COUNTER	1							
3	1	1A2740-23410	GEAR 21T	2							
4	1	24104-062014	BALL BEARING 6201UU	2							



Remarks

* Mission assy is shown in Fig.33.

N:Old $\xrightarrow{\text{Yes}}$ New, Q:Old $\xrightarrow{\text{No}}$ New, R:Old $\xrightarrow{\text{Yes}}$ New, S:Old $\xrightarrow{\text{No}}$ New, W:Add, Z:Discontinued, F:Interchangeable by set, K:Q'ty Change

Fig.11. AXLE SHAFT

(A)=MRT650EX,PQZ

(B)=

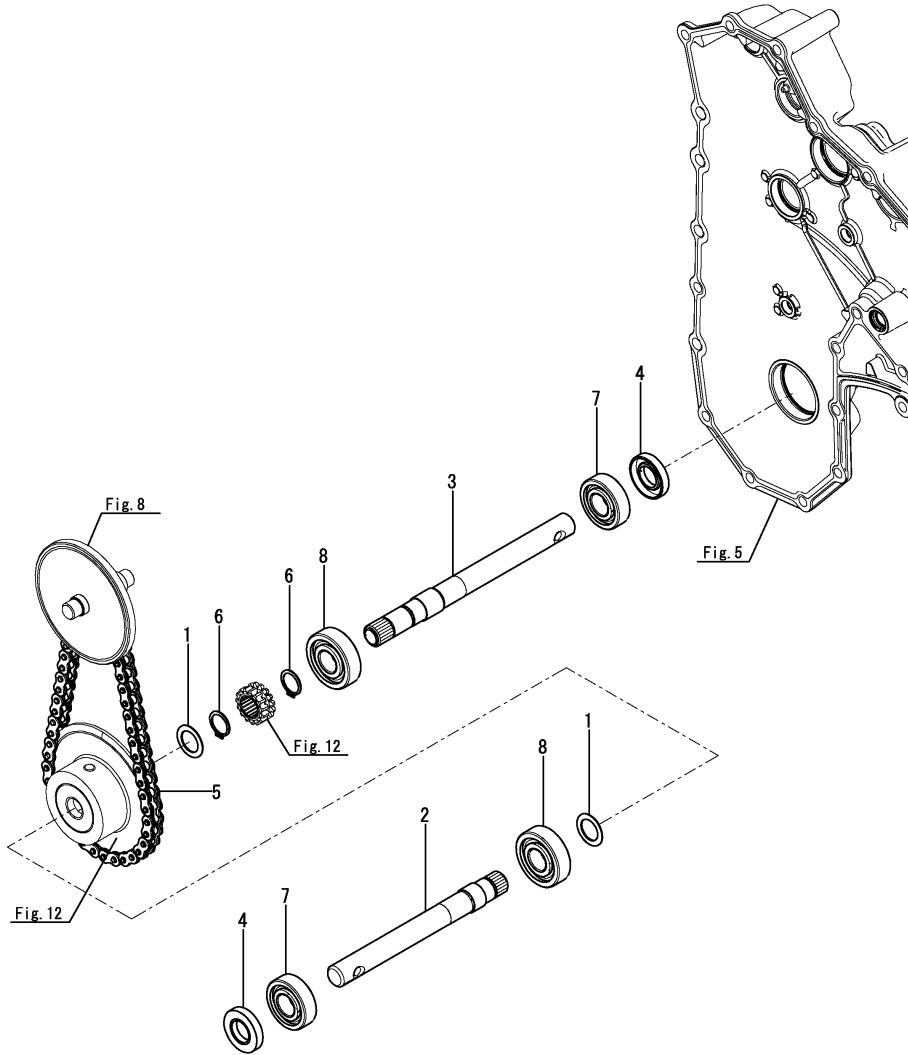
(C)=

(D)=

(E)=

(F)=

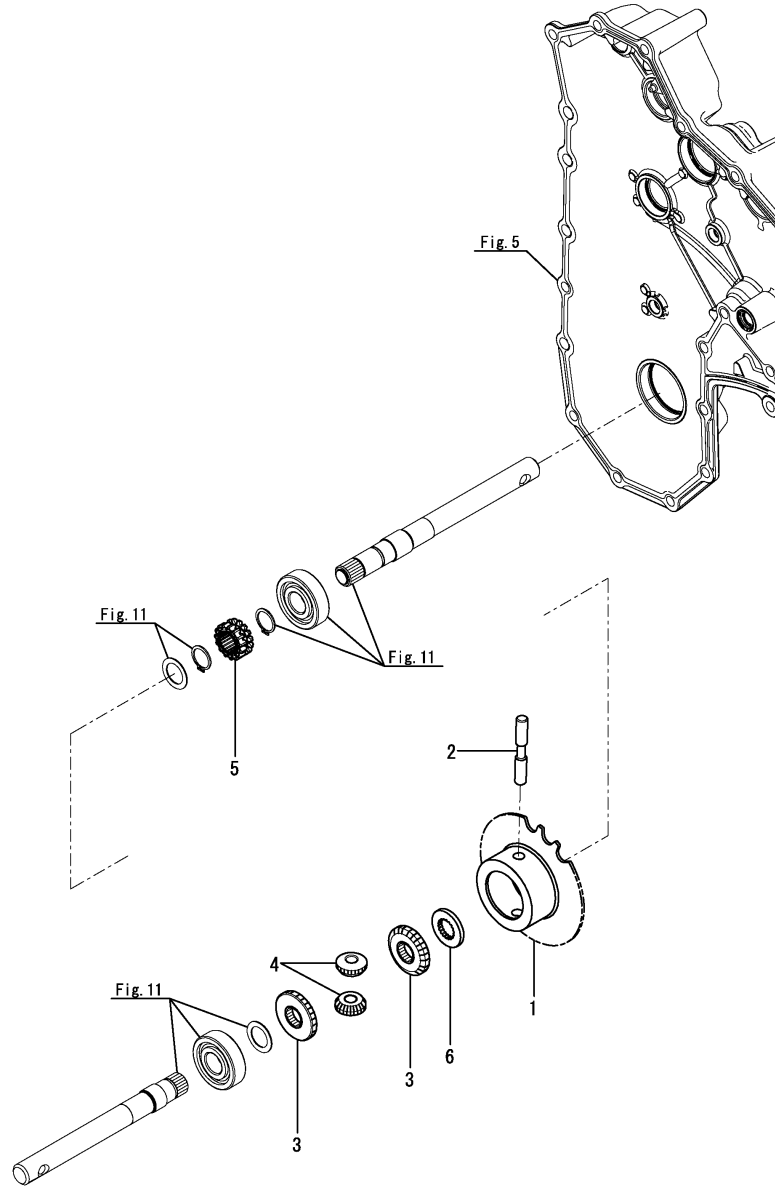
REF.	LEV.	PARTS NO.	DESCRIPTION	QTY						I	R
				(A)	(B)	(C)	(D)	(E)	(F)		
1	1	1A1105-23200	LINER 30X20.2X1	2							
2	1	1A2740-24000	SHAFT, SHEAR L	1							
3	1	1A2740-24010	SHAFT, SHEAR R	1							
4	1	1A2740-24020	SEAL, 204008	2							
5	1	1A2740-24080	CHAIN, 12.7X52	1							
6	1	22242-000200	CIRCLIP 20	2							
7	1	24101-062044	BALL BEARING #6204	2							
8	1	24101-063044	BALL BEARING	2							



Remarks

* Mission assy is shown in Fig.33.

Fig.12. DIFFERENTIAL



OCNP5-G50100 12. DIFFERENTIAL

(A)=MRT650EX,PQZ
(B)=
(C)=

(D)=
(E)=
(F)=

REF.	LEV.	PARTS NO.	DESCRIPTION	Q'TY						I	R
				(A)	(B)	(C)	(D)	(E)	(F)		
1	1	1A2740-24100	CASE, 30T	1							
2	1	1A2740-24150	SHAFT, PINION	1							
3	1	1A2740-24160	GEAR, SIDE	2							
4	1	1A2740-24170	PINION	2							
5	1	1A2170-24210	GEAR 15,DIFF.LOCK	1							
6	1	1A2420-24460	COLLAR, B	1							

Remarks

* Mission assy is shown in Fig.33.

N:Old $\xrightarrow{\text{Yes}}$ New, Q:Old $\xrightarrow{\text{No}}$ New, R:Old $\xrightarrow{\text{Yes}}$ New, S:Old $\xrightarrow{\text{No}}$ New, W:Add, Z:Discontinued, F:Interchangeable by set, K:Q'ty Change

Fig.13. MAIN SHIFT

(A)=MRT650EX,PQZ

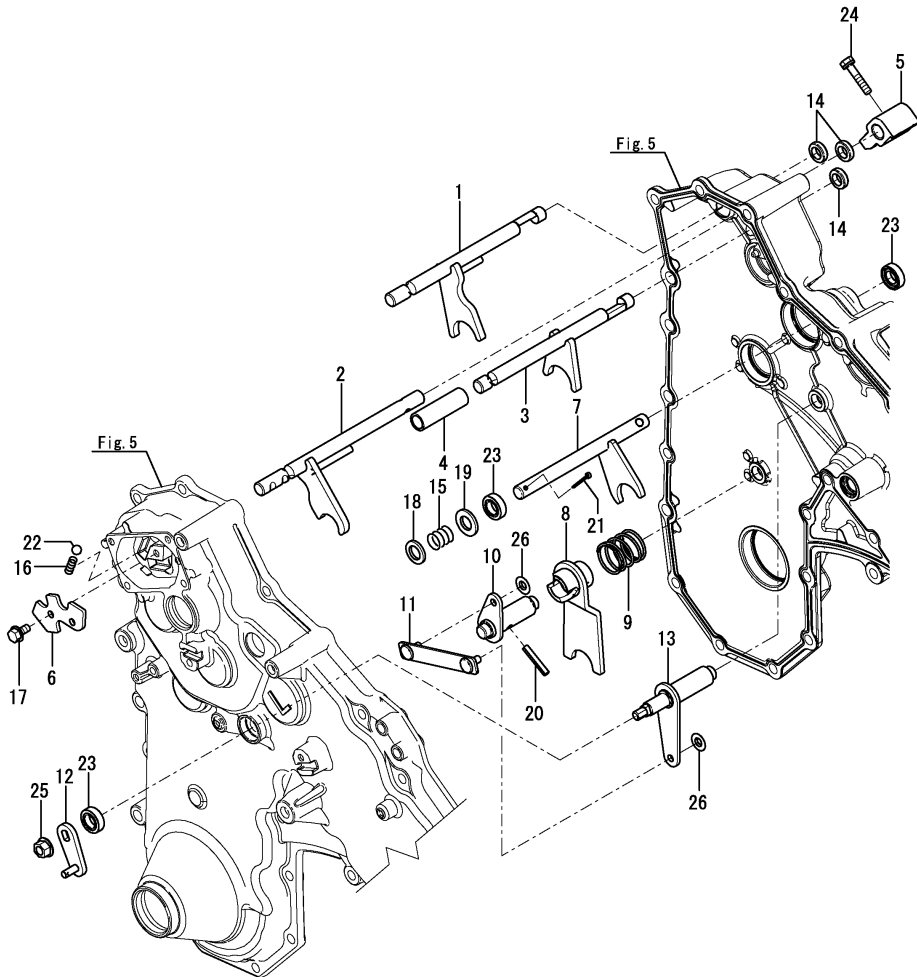
(B)=

(C)=

(D)=

(E)=

(F)=



REF.	LEV.	PARTS NO.	DESCRIPTION	Q'TY						I	R
				(A)	(B)	(C)	(D)	(E)	(F)		
1	1	1A2740-27000	SHAFT CMP, FORK A	1							
2	1	1A2740-27050	SHAFT CMP, FORK B	1							
3	1	1A2740-27100	SHAFT CMP, FORK C	1							
4	1	1A2740-27130	COLLER, 12X16X53.5	1							
5	1	1A2740-27151	GUIDE	1							
6	1	1A2740-27200	PLATE, RETAINER	1							
7	1	1A2480-27300	SHAFT D CMP.,FORK	1							
8	1	1A2740-27350	FORK CMP	1							
9	1	1A2740-27451	SPRING 30X32	1							
10	1	1A2740-27500	SHAFT CMP,DEFF	1							
11	1	1A2740-27700	LINK CMP	1							
12	1	1A2740-27750	CLUTCH ARM CMP	1							
13	1	1A2740-27800	SHAFT CMP	1							
14	1	1A2173-27900	SEAL, TC121805	3							
15	1	1A2190-55460	SPRING 13X38	1							
16	1	1E6150-56040	SPRING	3							
17	1	1A1750-90200	SCREW 6X12,COLLAR HD	2							
18	1	22117-120000	WASHER 12	1							
19	1	22137-120000	WASHER 12,POLISHED	1							
20	1	22351-050030	SPRING PIN 5X30	1							
21	1	22417-250250	COTTER PIN 2.5X25	1							
22	1	24190-100003	BALL 5/16	7							
23	1	24421-122207	SEAL TC12 22 07, OIL	3							
24	1	26013-060302	BOLT M 6X 30	1							
25	1	26367-080002	NUT, 8	1							
26	1	26892-000600	NUT 6	2							

Remarks

* Mission assy is shown in Fig.33.

N:Old $\xrightarrow{\text{Yes}}$ New, Q:Old $\xrightarrow{\text{No}}$ New, R:Old $\xrightarrow{\text{Yes}}$ New, S:Old $\xrightarrow{\text{No}}$ New, W:Add, Z:Discontinued, F:Interchangeable by set, K:Q'ty Change

Fig.14. TIRE

(A)=MRT650EX,PQZ

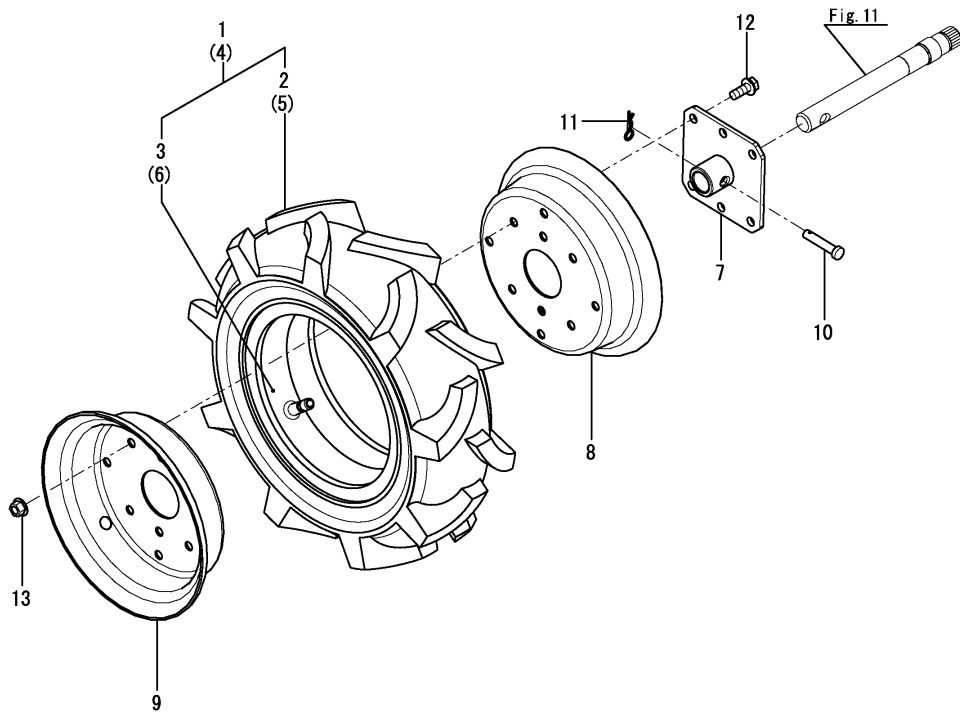
(B)=

(C)=

(D)=

(E)=

(F)=



REF.	LEV.	PARTS NO.	DESCRIPTION	Q'TY						I	R
				(A)	(B)	(C)	(D)	(E)	(F)		
1	1	1A1880-31000	TIRE	1							
2	2	1A1880-31020	TIRE 3.50-7	1							
3	2	1A1880-31030	TUBE 3.50-7,TIRE	1							
4	1	1A1880-31010	TIRE	1							
5	2	1A1880-31020	TIRE 3.50-7	1							
6	2	1A1880-31030	TUBE 3.50-7,TIRE	1							
7	1	1A2170-31700	FLANGE 7 COMP.,WHEEL	2							
8	1	1A1105-34010-1	TIRE, SIDE WHEEL	2							
9	1	1A1105-34020-1	TIRE, SIDE WHEEL	2							
10	1	1A1540-46010	PIN 8X35,FLAT HEAD	2							
11	1	1A1540-46020	PIN 8,SNAP	2							
12	1	26106-080202	BOLT M 8X 20 PLATED	8							
13	1	26367-080002	NUT, 8	8							

Fig.15. TILLAGE SHAFT

(A)=MRT650EX,PQZ

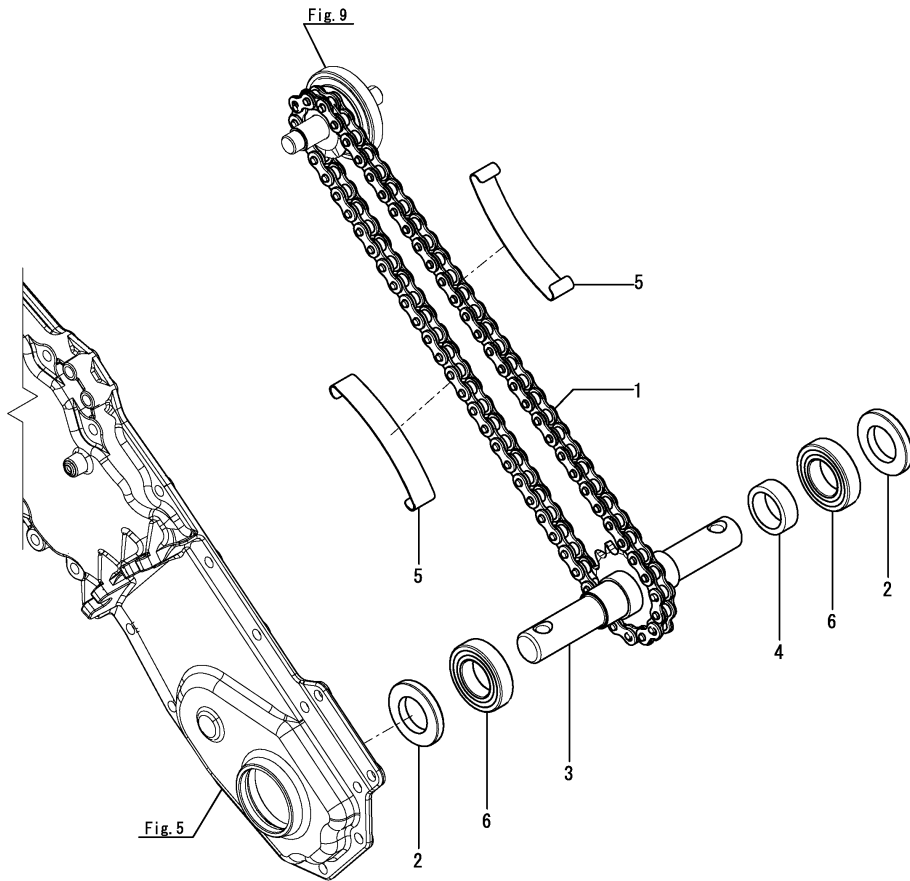
(B)=

(C)=

(D)=

(E)=

(F)=



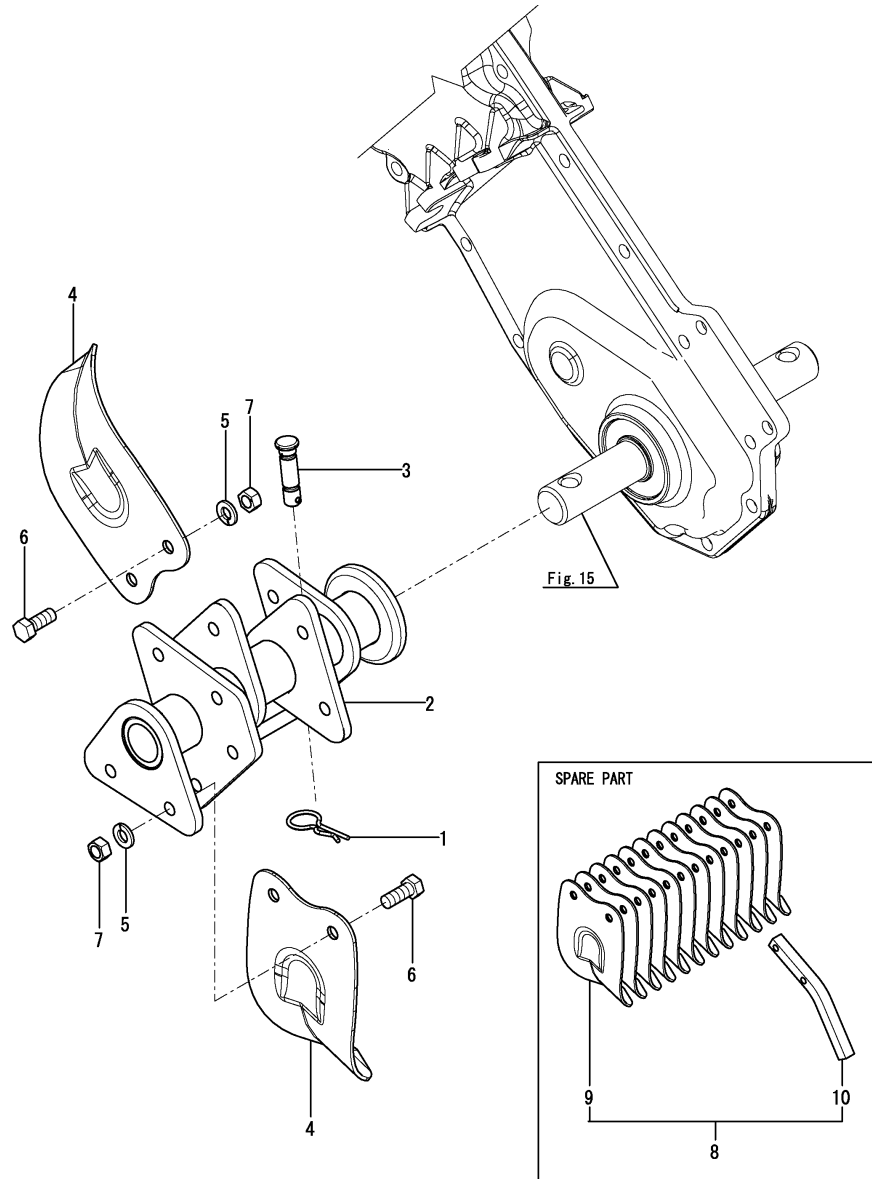
REF.	LEV.	PARTS NO.	DESCRIPTION	Q'TY						I	R
				(A)	(B)	(C)	(D)	(E)	(F)		
1	1	1A2740-42100	CHAIN, 15.875X64	1							
2	1	1A2480-42150	SEAL	2							
3	1	1A2170-42201	SHAFT COMP.,TILLING	1							
4	1	1A2170-42250	COLLAR 30X39.5X13	1							
5	1	1A2740-42300	TENSIONER,CHAIN	2							
6	1	24104-060064	BALL BEARING	2							

Remarks

* Mission assy is shown in Fig.33.

N:Old $\xrightarrow{\text{Yes}}$ New, Q:Old $\xrightarrow{\text{No}}$ New, R:Old $\xrightarrow{\text{Yes}}$ New, S:Old $\xrightarrow{\text{No}}$ New, W:Add, Z:Discontinued, F:Interchangeable by set, K:Q'ty Change

Fig.16. TINE SHAFT



OCNP5-G50100 16. TINE SHAFT

(A)=MRT650EX,PQZ

(B)=

(C)=

(D)=

(E)=

(F)=

REF.	LEV.	PARTS NO.	DESCRIPTION	Q'TY						I	R
				(A)	(B)	(C)	(D)	(E)	(F)		
1	1	1S0202-30900	PIN 10,SNAP	2							
2	1	1A2740-43100	SHAFT CMP, TINE	2							
3	1	1A2170-43300	SPLIT PIN 10X40	2							
4	1	1A2740-43900	TINE, W29	12							
5	1	22217-080000	WASHER, 8	24							
6	1	26116-080202	BOLT M 8X 20 PLATED	24							
7	1	26717-080002	NUT 8	24							
8	1	7A2740-43100	TINE ASSY	1							1
9	2	1A2740-43900	TINE, W29	12							1
10	2	1A2480-75110	REAR STICK	1							1

Remarks
(1)Spare parts.

N:Old $\xrightarrow{\text{Yes}}$ New, Q:Old $\xrightarrow{\text{No}}$ New, R:Old $\xrightarrow{\text{Yes}}$ New, S:Old $\xrightarrow{\text{No}}$ New, W:Add, Z:Discontinued, F:Interchangeable by set, K:Q'ty Change

Fig.17. TILLING COVER

(A)=MRT650EX,PQZ

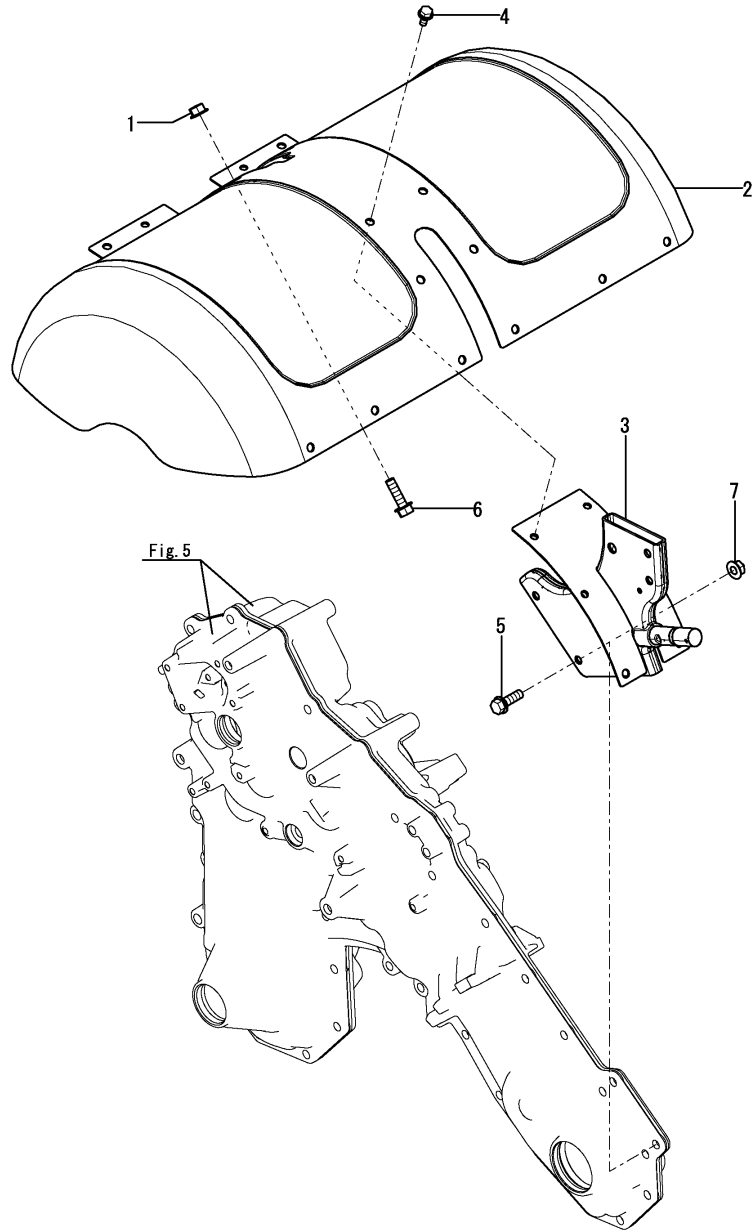
(B)=

(C)=

(D)=

(E)=

(F)=



REF.	LEV.	PARTS NO.	DESCRIPTION	QTY						I	R
				(A)	(B)	(C)	(D)	(E)	(F)		
1	1	1W0224-09804	NUT	4							
2	1	7A2749-44000	COVER,ROTARY PL ASSY	1							
3	1	1A2740-44050	BOX,ADJUST BACK CMP	1							
4	1	26106-060122	BOLT M 6X 12 PLATED	4							
5	1	26106-080252	BOLT M 8X 25 PLATED	2							
6	1	26106-080252	BOLT M 8X 25 PLATED	4							
7	1	26367-080002	NUT, 8	2							

Fig.18. COVER

(A)=MRT650EX,PQZ
(B)=
(C)=

(D)=
(E)=
(F)=

REF.	LEV.	PARTS NO.	DESCRIPTION	Q'TY						I	R
				(A)	(B)	(C)	(D)	(E)	(F)		
1	1	1A2740-44150	STAY(STRENGTH CMP	2							
2	1	1A2740-44550	RETAINER SHEET	1							
3	1	1A2740-44650	SHEET, REAR	1							
4	1	22157-060000	WASHER 6	2							
5	1	26367-060002	NUT M 6	6							

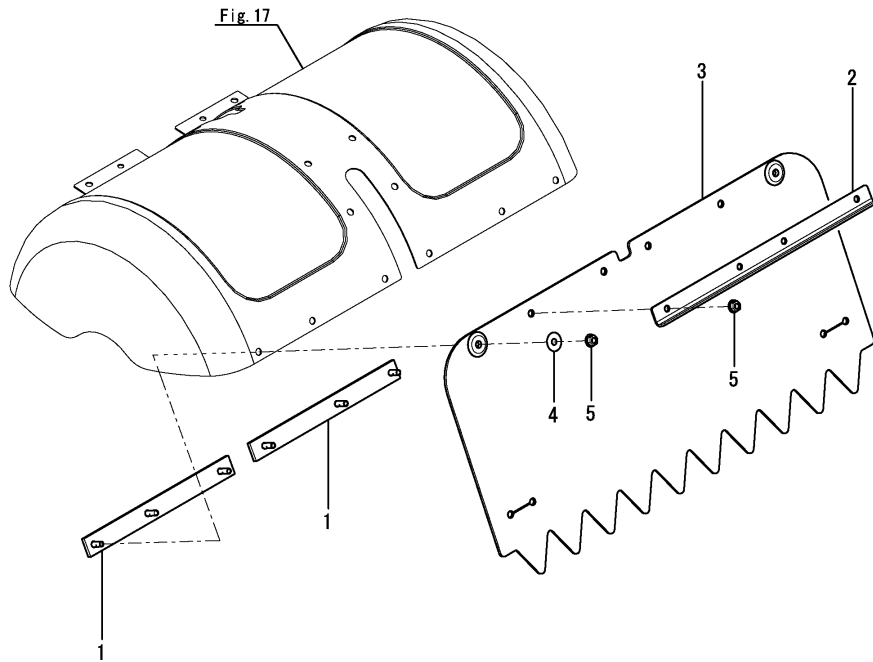


Fig.19. HANDLE

(A)=MRT650EX,PQZ

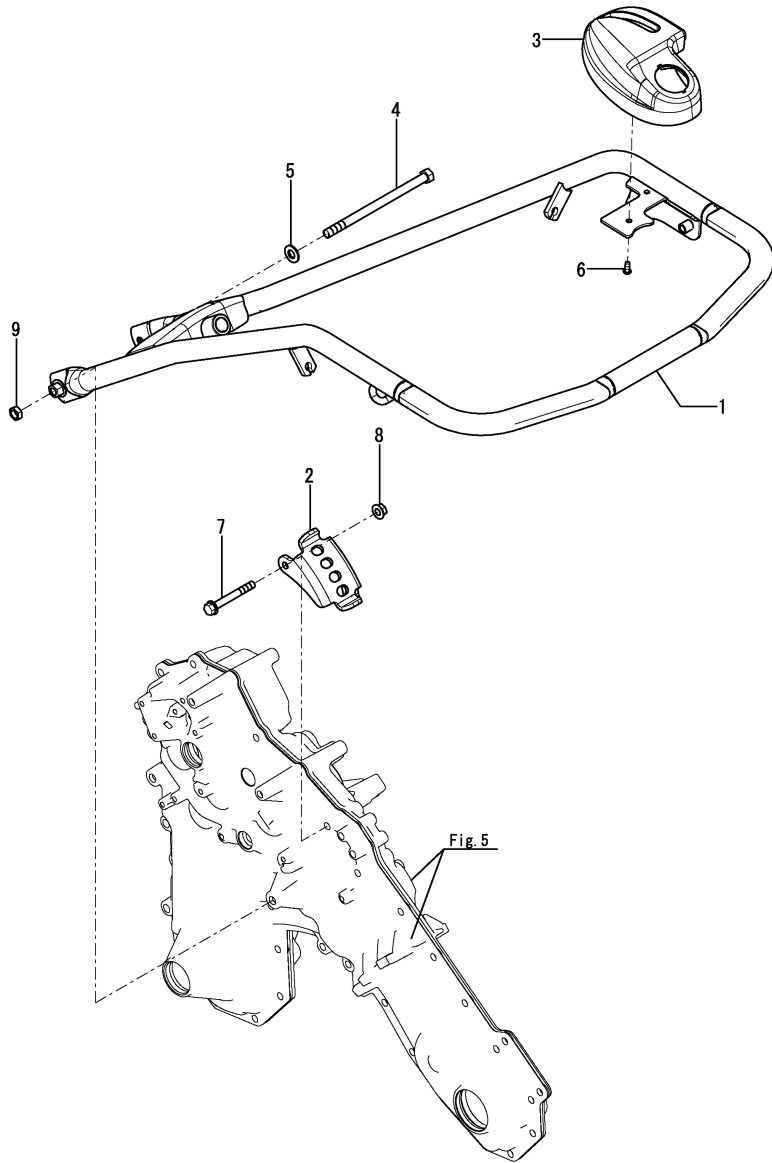
(B)=

(C)=

(D)=

(E)=

(F)=



REF.	LEV.	PARTS NO.	DESCRIPTION	Q'TY						I	R
				(A)	(B)	(C)	(D)	(E)	(F)		
1	1	1A2740-51500	HANDLE CMP	1							
2	1	1A2740-51600	INDEX,HANDL	1							
3	1	1A2740-51700	COVER, SWITCHI	1							
4	1	1A2170-51900	BOLT M10X160	1							
5	1	22137-100000	WASHER 10,POLISHED	1							
6	1	22857-500122	SCREW, 5.0 X 12	2							
7	1	26106-080652	BOLT M 8X 65 PLATED	2							
8	1	26367-080002	NUT, 8	2							
9	1	26777-100002	LOCK NUT M10	1							

Remarks

* Mission assy is shown in Fig.33.

N:Old $\xrightarrow{\text{Yes}}$ New, Q:Old $\xrightarrow{\text{No}}$ New, R:Old $\xrightarrow{\text{Yes}}$ New, S:Old $\xrightarrow{\text{No}}$ New, W:Add, Z:Discontinued, F:Interchangeable by set, K:Q'ty Change

Fig.20. HANDLE COVER

(A)=MRT650EX,PQZ

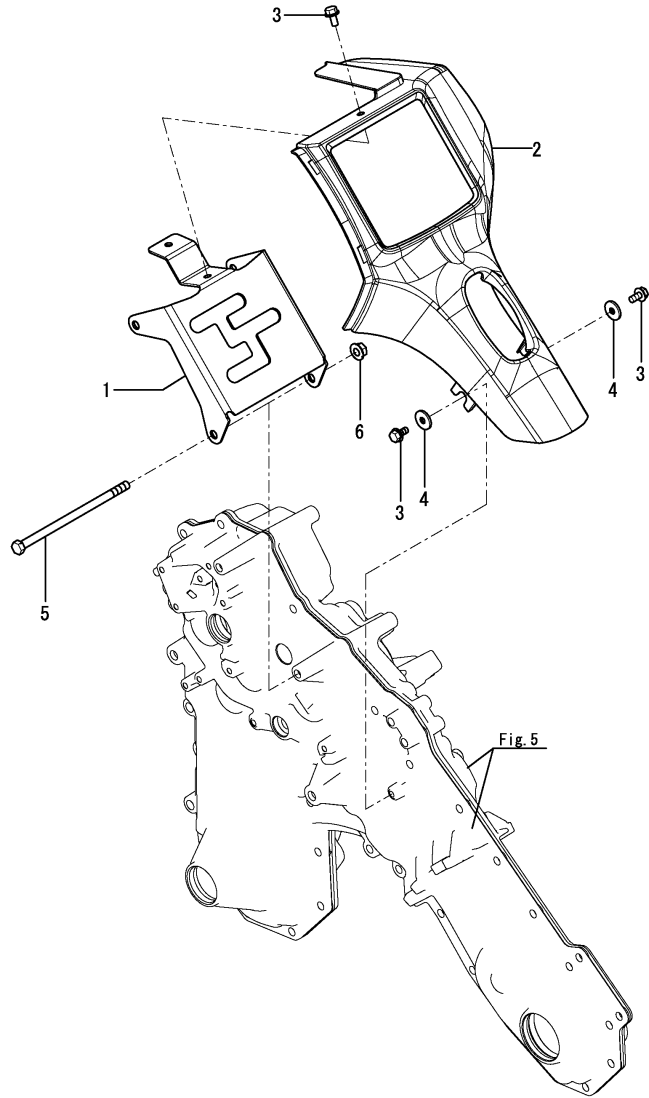
(B)=

(C)=

(D)=

(E)=

(F)=



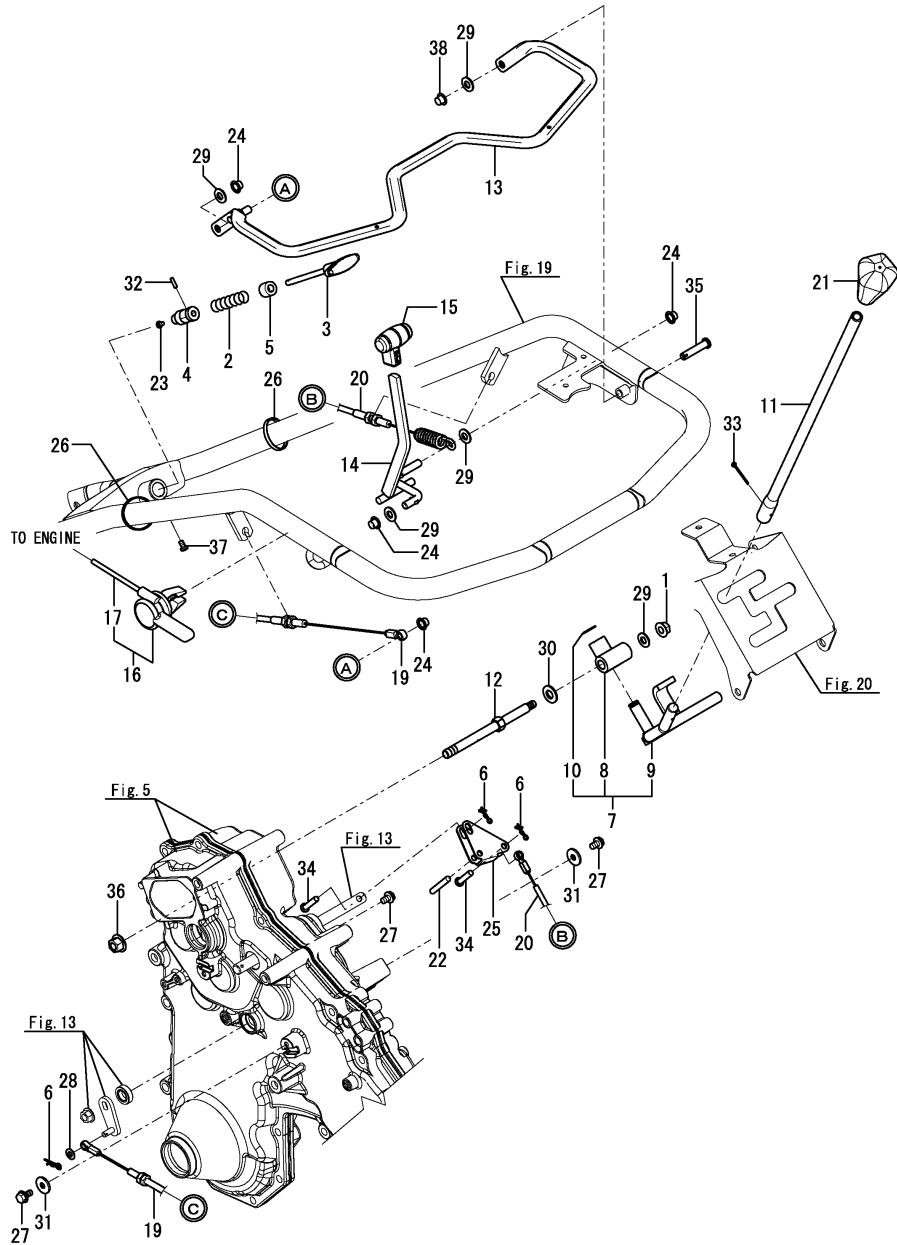
REF.	LEV.	PARTS NO.	DESCRIPTION	Q'TY						I	R
				(A)	(B)	(C)	(D)	(E)	(F)		
1	1	1A2740-52000	GUIDE CMP, CHANGE	1							
2	1	1A2740-52200	COVER, CHANGE	1							
3	1	1A1750-90200	SCREW 6X12,COLLAR HD	3							
4	1	22157-060000	WASHER 6	2							
5	1	26116-081502	BOLT M 8X150 PLATED	2							
6	1	26367-080002	NUT, 8	2							

Remarks

* Mission assy is shown in Fig.33.

N:Old $\xrightarrow{\text{Yes}}$ New, Q:Old $\xrightarrow{\text{No}}$ New, R:Old $\xrightarrow{\text{Yes}}$ New, S:Old $\xrightarrow{\text{No}}$ New, W:Add, Z:Discontinued, F:Interchangeable by set, K:Q'ty Change

Fig.21. CONTROL LEVER



(A)=MRT650EX,PQZ

(B)=

(C)=

(D)=

(E)=

(F)=

REF.	LEV.	PARTS NO.	DESCRIPTION	Q'TY						I	R
				(A)	(B)	(C)	(D)	(E)	(F)		
1	1	1W0224-09804	NUT	1							
2	1	1A2680-51560	SPRING,1.6X13.7X62	1							
3	1	1A2740-51650	LEVER	1							
4	1	1A2740-51680	PIN, UP/DOWN LOCK	1							
5	1	1A2740-51810	RETAINER, LOCK PIN	1							
6	1	1C6281-52310	PIN 6,COME-OFF SNAP	3							
7	1	7A2740-55150	LEVER ASSY	1							
8	2	1A2740-55101	FULCRUM, CHANGE CMP	1							
9	2	1A2740-55151	LEVER, CHANGE CMP	1							
10	2	22242-000120	CIRCLIP 12	1							
11	1	1A2420-55200	LEVER,CHANGE	1							
12	1	1A2740-55250	BOLT,FULCRUM	1							
13	1	1A2740-55300	LEVER CMP	1							
14	1	1A2740-55400	LEVER, CMP	1							
15	1	1A2740-55410	GRIP	1							
16	1	1A2749-55450	LEVER (E ASSY	1							
17	2	1A2749-55460	WIRE, ACCELERATOR	1							
19	1	1A2749-55500	WIRE, CLUTCH MAIN	1							
20	1	1A2749-55511	WIRE	1							
21	1	1A2740-55580	GRIP, LEVER	1							
22	1	1A2480-55600	PIN 6X 40	1							
23	1	1A2740-55600	PIN, SET	1							
24	1	1A2680-55800	NUT,CAP	4							
25	1	1A2480-56100	ARM,TILL,CLUTCH	1							
26	1	1E6102-84970	BAND 140,WIRE LOCK	2							
27	1	1A1750-90200	SCREW 6X12,COLLAR HD	5							
28	1	22137-060000	WASHER 6, POLISHED	1							
29	1	22137-080000	WASHER 8, POLISHED	5							
30	1	22137-100000	WASHER 10,POLISHED	1							
31	1	22157-060000	WASHER 6	3							
32	1	22351-030012	SPRING PIN 3X12	1							
33	1	22417-250250	COTTER PIN 2.5X25	1							
34	1	22487-060240	PIN 6X 24	2							
35	1	22487-080350	PIN 8X 35	1							
36	1	26377-100002	U-NUT M10	1							
37	1	26557-050082	SCREW, M5X8	1							
38	1	26892-000800	NUT 8	1							

Remarks

* Mission assy is shown in Fig.33.

N:Old $\begin{matrix} \text{Yes} \\ \text{No} \end{matrix}$ New, Q:Old $\begin{matrix} \text{No} \\ \text{Yes} \end{matrix}$ New, R:Old $\begin{matrix} \text{Yes} \\ \text{Yes} \end{matrix}$ New, S:Old $\begin{matrix} \text{No} \\ \text{No} \end{matrix}$ New, W:Add, Z:Discontinued, F:Interchangeable by set, K:Q'ty Change

Fig.22. ENGINE FRAME

0CNP5-G50100 22. ENGINE FRAME

(A)=MRT650EX,PQZ

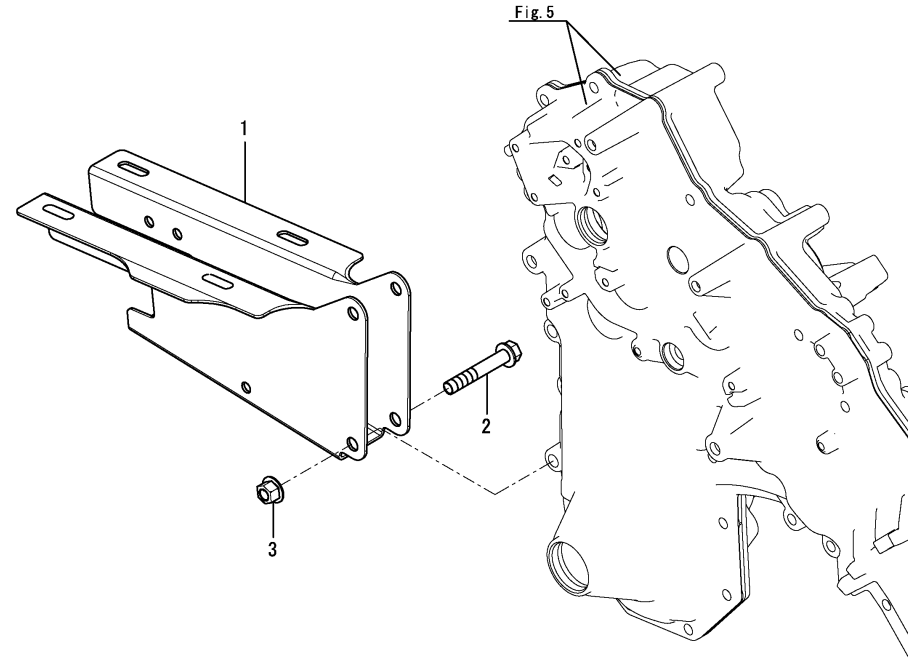
(B)=

(C)=

(D)=

(E)=

(F)=



REF.	LEV.	PARTS NO.	DESCRIPTION	Q'TY						I	R
				(A)	(B)	(C)	(D)	(E)	(F)		
1	1	1A2740-61000	FRAME, ENGINE	1							
2	1	26136-100602	BOLT M10X 60 PLATED	2							
3	1	26377-100002	U-NUT M10	2							

Remarks

* Mission assy is shown in Fig.33.

N:Old $\xrightarrow{\text{Yes}}$ New, Q:Old $\xrightarrow{\text{No}}$ New, R:Old $\xrightarrow{\text{Yes}}$ New, S:Old $\xrightarrow{\text{No}}$ New, W:Add, Z:Discontinued, F:Interchangeable by set, K:Q'ty Change

Fig.24. BELT COVER

(A)=MRT650EX,PQZ

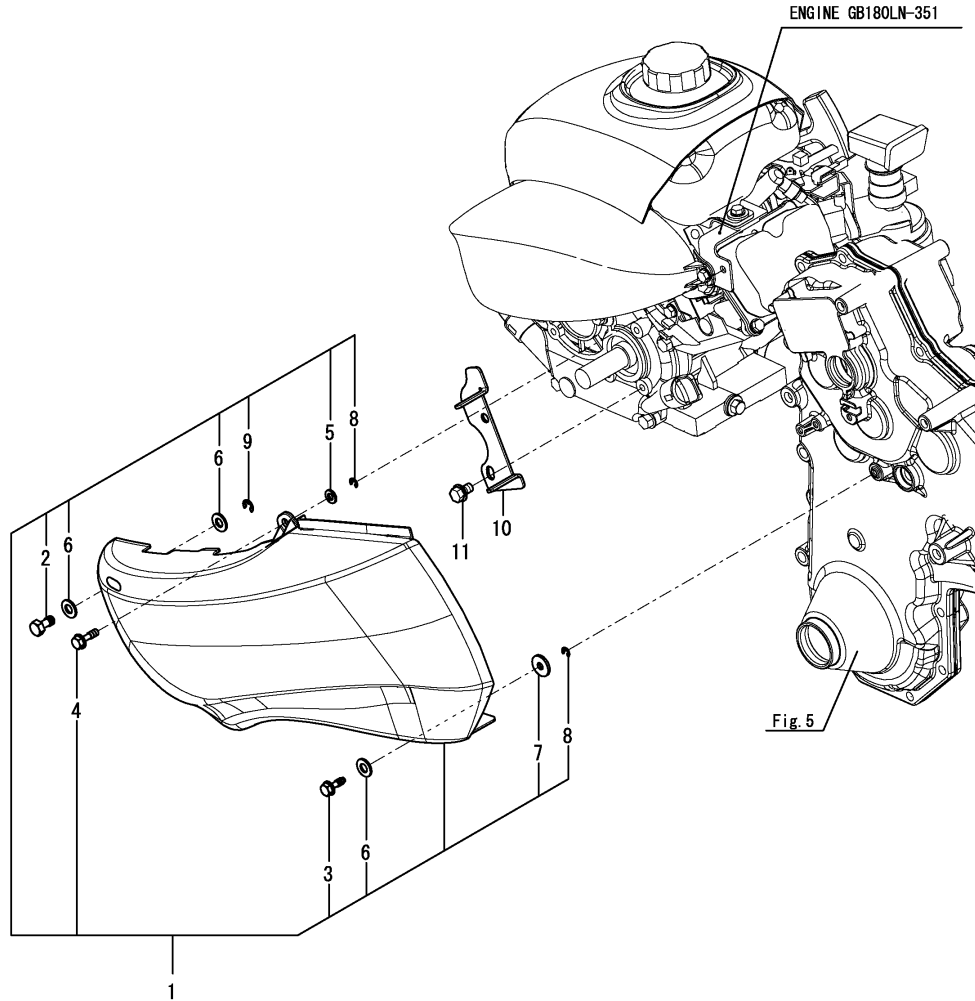
(B)=

(C)=

(D)=

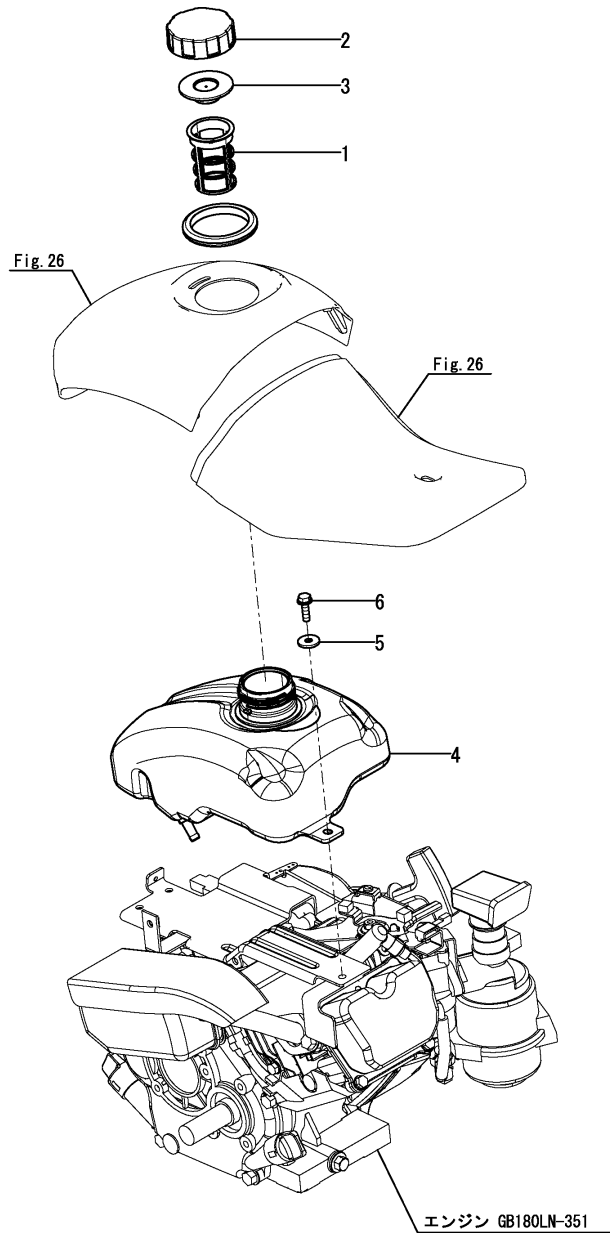
(E)=

(F)=



REF.	LEV.	PARTS NO.	DESCRIPTION	QTY						I	R
				(A)	(B)	(C)	(D)	(E)	(F)		
1	1	7A2749-62000	COVER, BELT PL ASSY	1							
2	2	1A2132-62050	BOLT	1							
3	2	1A2749-62050	BOLT, 6X16	1							
4	2	1A2749-62100	BOLT, 6X20	1							
5	2	22137-060000	WASHER 6, POLISHED	1							
6	2	22137-080000	WASHER 8, POLISHED	3							
7	2	22157-060000	WASHER 6	1							
8	2	22276-000040	RING, 4	2							
9	2	22276-000060	RING, 6	1							
10	1	1A2740-62100	RETAINER ,BELT	1							
11	1	26106-080122	BOLT M 8X 12 PLATED	2							

Fig.25. FUEL TANK



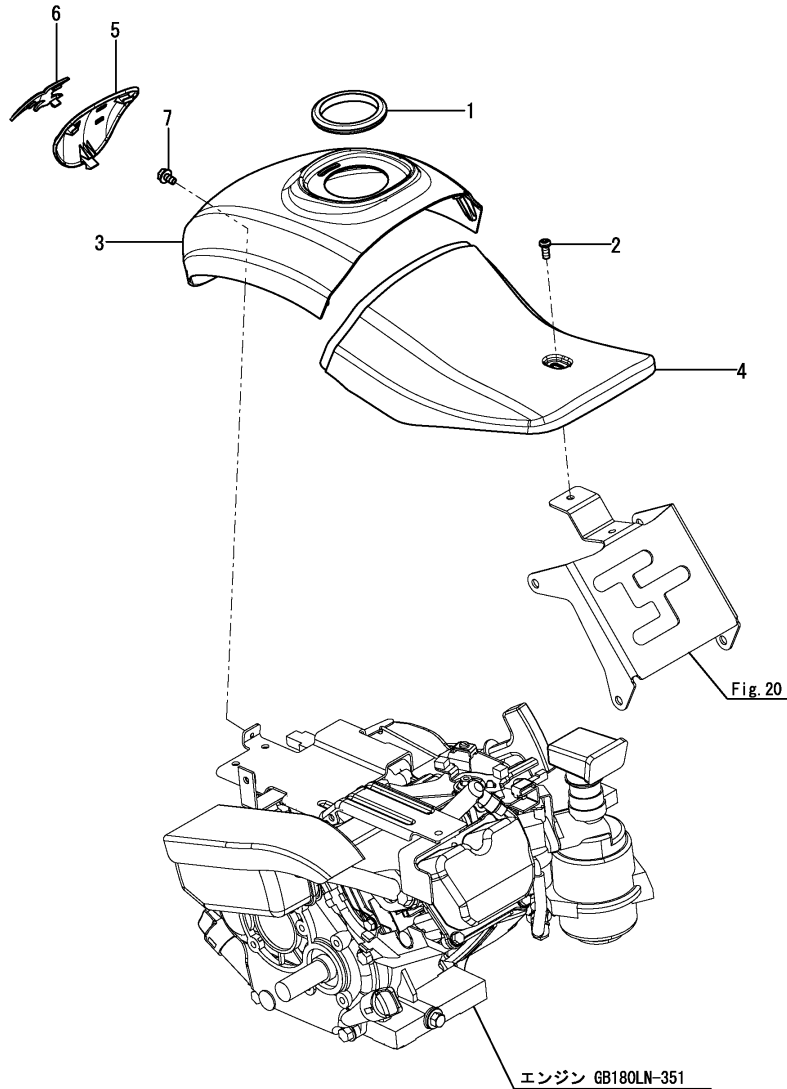
0CNP5-G50100 25. FUEL TANK

(A)=MRT650EX,PQZ
(B)=
(C)=

(D)=
(E)=
(F)=

REF.	LEV.	PARTS NO.	DESCRIPTION	Q'TY						I	R
				(A)	(B)	(C)	(D)	(E)	(F)		
1	1	1W1303-40010	FILTER,FUEL	1							
2	1	160610-55040	CAP, FUEL TANK	1							
3	1	1C6054-62030	PACKING,FUEL TANK	1							
4	1	1A2740-63001	FUEL TANK	1							
5	1	22157-060000	WASHER 6	3							
6	1	26106-060202	BOLT M 6X 20 PLATED	3							

Fig.26. BONNET



0CNP5-G50100 26. BONNET

(A)=MRT650EX,PQZ
(B)=
(C)=

(D)=
(E)=
(F)=

REF.	LEV.	PARTS NO.	DESCRIPTION	Q'TY						I	R
				(A)	(B)	(C)	(D)	(E)	(F)		
1	1	1W3981-10440	RUBBER	1							
2	1	1A1686-52230	SCREW 6X16,PAN HD.MC	1							
3	1	7A2749-64000	BONNET PL ASSY	1							
4	1	1A2740-64010	COVER, REAR	1							
5	1	1A2720-64100	MUSK, FRONT	1							
6	1	1A2720-64110	BLAND MARK	1							
7	1	26106-060082	BOLT M 6X 8 PLATED	1							

Fig.27. TAIL WHEEL

(A)=MRT650EX,PQZ

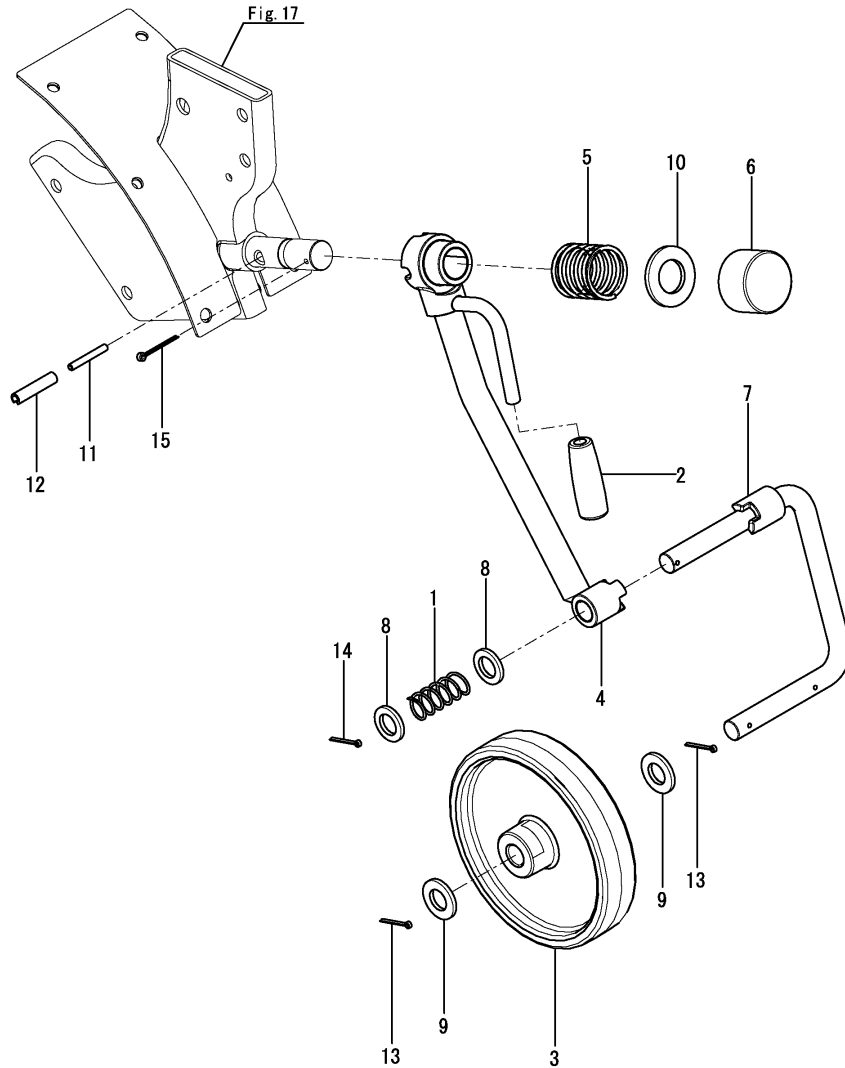
(B)=

(C)=

(D)=

(E)=

(F)=



REF.	LEV.	PARTS NO.	DESCRIPTION	QTY						I	R
				(A)	(B)	(C)	(D)	(E)	(F)		
1	1	1A2190-55460	SPRING 13X38	1							
2	1	1A2660-56000	GRIP, YELLOW	1							
3	1	1A2740-71100	WHEEL	1							
4	1	1A2740-71200	ARM,WHEEL CMP	1							
5	1	1A2740-71310	SPRING 28X32	1							
6	1	1A2740-71350	CAP	1							
7	1	1A2740-71500	SHAFT,WHEEL CMP	1							
8	1	22117-120000	WASHER 12	2							
9	1	22137-120000	WASHER 12,POLISHED	2							
10	1	22137-180000	WASHER 18	1							
11	1	22351-035028	SPRING PIN 3.5X28	1							
12	1	22351-060030	SPRING PIN 6X30	1							
13	1	22417-200200	COTTER PIN 2.0X20	2							
14	1	22417-200250	COTTER PIN 2.0X25	1							
15	1	22417-250250	COTTER PIN 2.5X25	1							

Fig.28. SKID

(A)=MRT650EX,PQZ

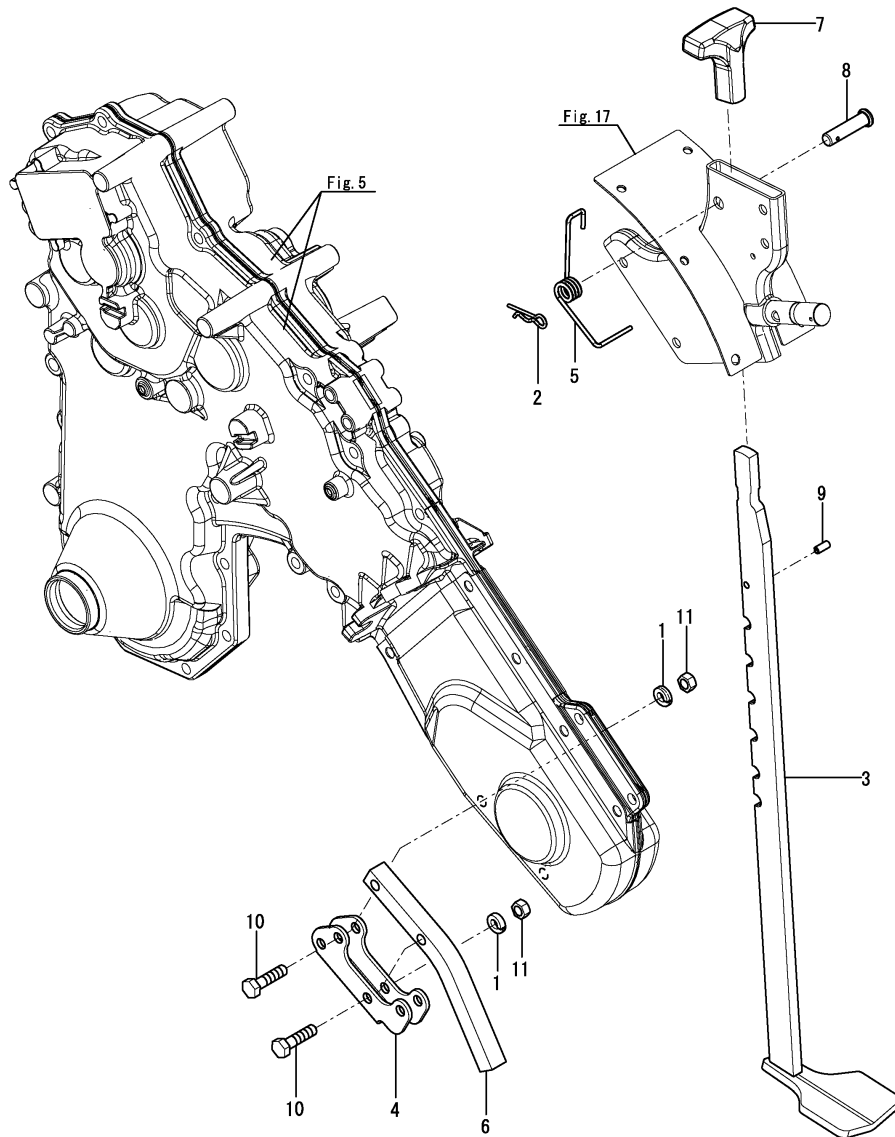
(B)=

(C)=

(D)=

(E)=

(F)=



REF.	LEV.	PARTS NO.	DESCRIPTION	QTY						I	R
				(A)	(B)	(C)	(D)	(E)	(F)		
1	1	1E6570-35150	WASHER 8,SPRING	4							
2	1	1A1290-36010	SNAP PIN 10	1							
3	1	1A2740-75000	BAR CMP	1							
4	1	1A2480-75100	STAY	1							
5	1	1A2170-75111	SPRING 46X60X25,TORQ	1							
6	1	1A2480-75110	REAR STICK	1							
7	1	1A2480-75150	KNOB, LEVER	1							
8	1	1A2170-75160	PIN 10X33,FLAT HEAD	1							
9	1	22351-050012	PIN 5X12,SPRING	1							
10	1	26076-080322	BOLT, 8 X 32	4							
11	1	26716-080002	NUT M 8	4							

Remarks

* Mission assy is shown in Fig.33.

N:Old $\xrightarrow{\text{Yes}}$ New, Q:Old $\xrightarrow{\text{No}}$ New, R:Old $\xrightarrow{\text{Yes}}$ New, S:Old $\xrightarrow{\text{No}}$ New, W:Add, Z:Discontinued, F:Interchangeable by set, K:Q'ty Change

Fig.29. ELECTRIC PART

0CNP5-G50100 29. ELECTRIC PART

(A)=MRT650EX,PQZ
(B)=
(C)=

(D)=
(E)=
(F)=

REF.	LEV.	PARTS NO.	DESCRIPTION	Q'TY						I	R
				(A)	(B)	(C)	(D)	(E)	(F)		
1	1	1A2320-55900	BAND	3							
2	1	1A2749-83000	SWITCH, STOP PQ	1							
3	1	1A2749-83050	HARNESS, SWITCH	1							

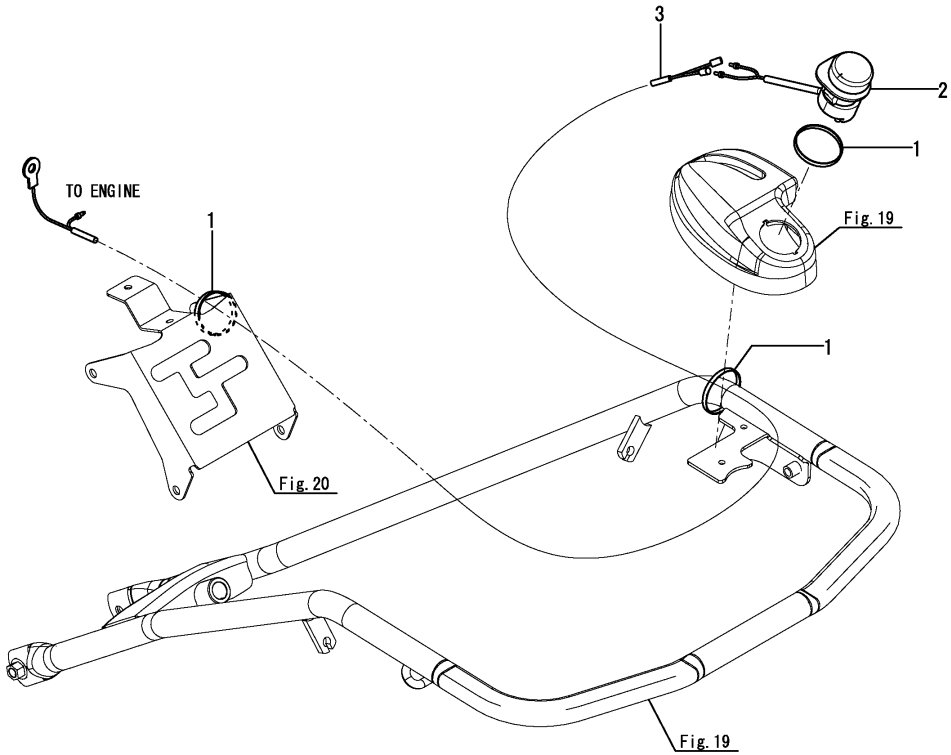


Fig.30. LABEL

(A)=MRT650EX,PQZ

(B)=

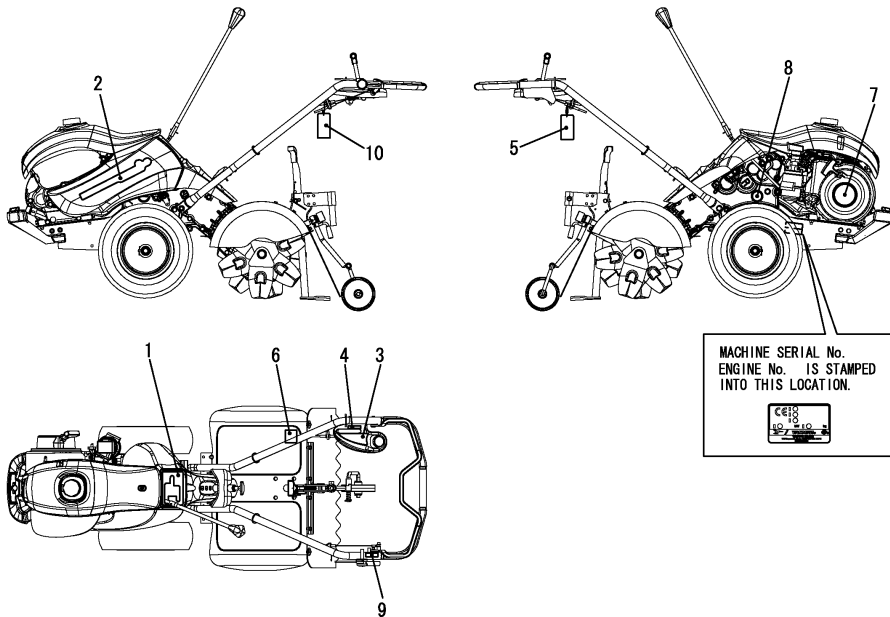
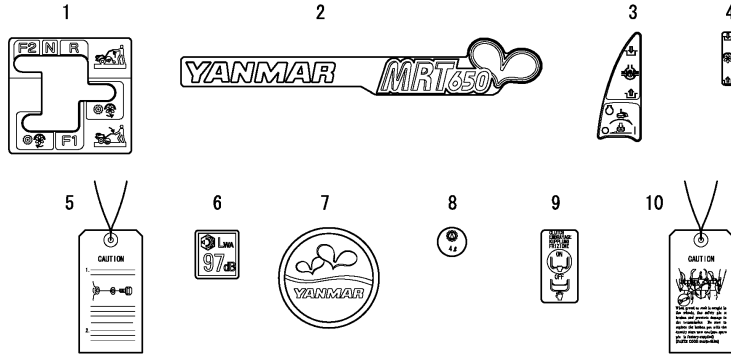
(C)=

(D)=

(E)=

(F)=

REF.	LEV.	PARTS NO.	DESCRIPTION	QTY						I	R
				(A)	(B)	(C)	(D)	(E)	(F)		
1	1	1A2749-86050	LABEL, CHANGE	1							
2	1	1A2740-86100	ARNAMENT,650	1							
3	1	1A2749-86100	LABEL,TURN	1							
4	1	1A2749-86110	LABEL, CRUTCH	1							
5	1	1A2749-86150	TAG, CAUTION	1							
6	1	1A2179-86230	LABEL	1							
7	1	1A2720-86230	LABEL,RECOIL	1							
8	1	1A2740-86360	LABEL, OIL 4	1							
9	1	1A2170-86920	LABEL EX,MAIN CLUTCH	1							
10	1	1A2170-86960	CAP,TN.SHFT.PIN CAUT	1							



Remarks

* Mission assy is shown in Fig.33.

N:Old $\xrightarrow{\text{Yes}}$ New, Q:Old $\xrightarrow{\text{No}}$ New, R:Old $\xrightarrow{\text{Yes}}$ New, S:Old $\xrightarrow{\text{No}}$ New, W:Add, Z:Discontinued, F:Interchangeable by set, K:Q'ty Change

Fig.32. TOOL, ACCESSORY

(A)=MRT650EX,PQZ

(B)=

(C)=

(D)=

(E)=

(F)=

REF.	LEV.	PARTS NO.	DESCRIPTION	Q'TY						I	R
				(A)	(B)	(C)	(D)	(E)	(F)		
1	1	1A1750-83900	TOOL BAG	1							
2	1	1D2040-87060	SCREWDRIVER,COMBINAT	1							
3	1	160110-92700	BOX, SPANNER	1							
4	1	28110-100120	WRENCH 10X12	1							
5	1	28110-140170	WRENCH 14X17	1							
6	1	1S0202-30900	PIN 10,SNAP	1							
7	1	1A2170-43300	SPLIT PIN 10X40	1							
8	1	1A2749-88000	MANUAL	1							

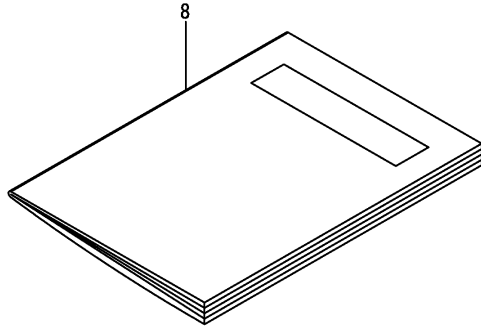
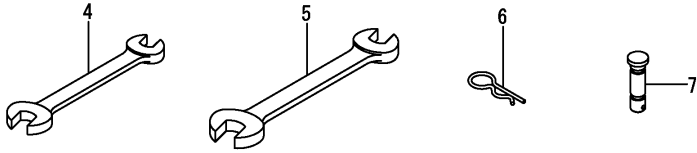
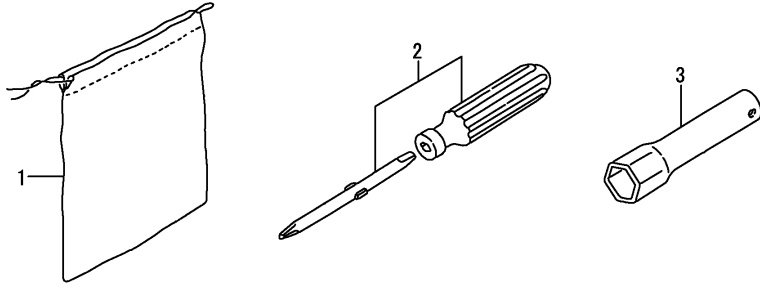


Fig.33. MISSION ASSY

(A)=MRT650EX,PQZ

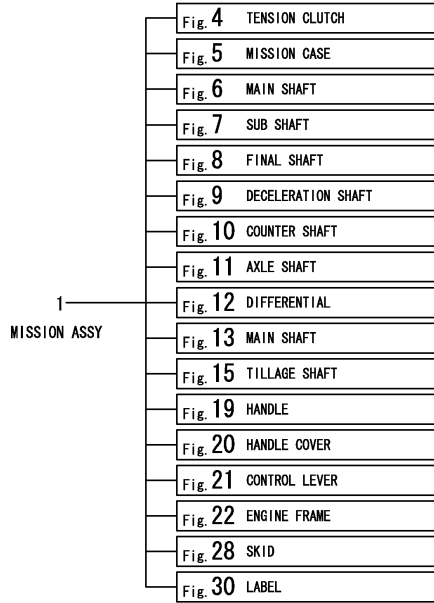
(B)=

(C)=

(D)=

(E)=

(F)=



REF.	LEV.	PARTS NO.	DESCRIPTION	Q'TY						I	R
				(A)	(B)	(C)	(D)	(E)	(F)		
1	1	7A2749-21100	MISSION EX-PQ ASSY	1							

Remarks
* Inner parts are shown in these figure.

Part Number Index

All parts are stipulated in the order of part numbers.

(Depending on the area in which the part is used.)

This index will display the location of the part according to each part number.

PARTS No. INDEX

PARTS No.	Fig.	Ref.No.
160110-92700	32	3
160610-55040	25	2
1A1105-23200	9	1
	11	1
1A1105-34010-1	14	8
1A1105-34020-1	14	9
1A1290-36010	28	2
1A1470-20090	5	1
1A1540-46010	14	10
1A1540-46020	14	11
1A1686-52230	26	2
1A1735-23250	9	2
1A1750-83900	32	1
1A1750-90200	5	8
	13	17
	20	3
	21	27
1A1880-31000	14	1
1A1880-31010	14	4
1A1880-31020	14	2
		5
1A1880-31030	14	3
		6
1A2000-23251	7	4
	9	3
1A2001-21250	5	4
1A2132-62050	24	2
1A2170-24210	12	5
1A2170-31700	14	7
1A2170-42201	15	3
1A2170-42250	15	4
1A2170-43300	16	3
	32	7
1A2170-51900	19	4
1A2170-75111	28	5
1A2170-75160	28	8
1A2170-86920	30	9
1A2170-86960	30	10
1A2173-27900	13	14
1A2179-86230	30	6
1A2190-55460	13	15
	27	1
1A2199-86700	31	1
1A2199-86720	31	2
1A2199-86840	31	3
1A2199-86900	31	4
1A2320-23150	10	1
1A2320-55900	29	1
1A2420-24460	12	6
1A2420-55200	21	11

PARTS No.	Fig.	Ref.No.
1A2480-13100	4	1
1A2480-23380	9	6
1A2480-27300	13	7
1A2480-42150	15	2
1A2480-55600	21	22
1A2480-56100	21	25
1A2480-75100	28	4
1A2480-75110	16	10
	28	6
1A2480-75150	28	7
1A2660-56000	27	2
1A2680-51560	21	2
1A2680-55800	21	24
1A2720-64100	26	5
1A2720-64110	26	6
1A2720-86230	30	7
1A2740-11050	1	1
1A2740-11150	1	2
1A2740-11501	1	3
1A2740-12000	2	2
1A2740-12100	2	3
1A2740-13300	3	1
1A2740-13500	4	2
1A2740-13550	4	3
1A2740-13600	4	4
1A2740-21000	5	2
1A2740-21010	5	3
1A2740-21300	5	5
1A2740-21400	5	6
1A2740-21410	5	7
1A2740-23000	6	1
1A2740-23010	6	2
1A2740-23100	7	1
1A2740-23150	7	2
1A2740-23160	7	3
1A2740-23200	8	1
1A2740-23300	9	4
1A2740-23350	9	5
1A2740-23400	10	2
1A2740-23410	10	3
1A2740-24000	11	2
1A2740-24010	11	3
1A2740-24020	11	4
1A2740-24080	11	5
1A2740-24100	12	1
1A2740-24150	12	2
1A2740-24160	12	3
1A2740-24170	12	4
1A2740-27000	13	1
1A2740-27050	13	2

PARTS No.	Fig.	Ref.No.
1A2740-27100	13	3
1A2740-27130	13	4
1A2740-27151	13	5
1A2740-27200	13	6
1A2740-27350	13	8
1A2740-27451	13	9
1A2740-27500	13	10
1A2740-27700	13	11
1A2740-27750	13	12
1A2740-27800	13	13
1A2740-42100	15	1
1A2740-42300	15	5
1A2740-43100	16	2
1A2740-43900	16	4
		9
1A2740-44050	17	3
1A2740-44150	18	1
1A2740-44550	18	2
1A2740-44650	18	3
1A2740-51500	19	1
1A2740-51600	19	2
1A2740-51650	21	3
1A2740-51680	21	4
1A2740-51700	19	3
1A2740-51810	21	5
1A2740-52000	20	1
1A2740-52200	20	2
1A2740-55101	21	8
1A2740-55151	21	9
1A2740-55250	21	12
1A2740-55300	21	13
1A2740-55400	21	14
1A2740-55410	21	15
1A2740-55580	21	21
1A2740-55600	21	23
1A2740-61000	22	1
1A2740-61300	23	1
1A2740-62100	24	10
1A2740-63001	25	4
1A2740-64010	26	4
1A2740-71100	27	3
1A2740-71200	27	4
1A2740-71310	27	5
1A2740-71350	27	6
1A2740-71500	27	7
1A2740-75000	28	3
1A2740-86100	30	2
1A2740-86360	30	8
1A2749-55450	21	16
1A2749-55460	21	17

PARTS No.	Fig.	Ref.No.
1A2749-55500	21	19
1A2749-55511	21	20
1A2749-62050	24	3
1A2749-62100	24	4
1A2749-83000	29	2
1A2749-83050	29	3
1A2749-86050	30	1
1A2749-86100	30	3
1A2749-86110	30	4
1A2749-86150	30	5
1A2749-88000	32	8
1C6054-62030	25	3
1C6281-52310	21	6
1D1140-11420	2	1
1D2040-87060	32	2
1E6102-84970	21	26
1E6150-56040	13	16
1E6570-35150	28	1
1S0202-30900	16	1
	32	6
1W0224-09804	17	1
	21	1
1W1303-40010	25	1
1W3981-10440	26	1
7A2740-43100	16	8
7A2740-55150	21	7
7A2749-21100	33	1
7A2749-44000	17	2
7A2749-62000	24	1
7A2749-64000	26	3



YANMAR CO.,LTD.